

## **XN-145 XPERIENCE CONTROLLER**

**XN range** The Nexmosphere nano range is the smallest encased controller of its kind. It's ultra-small form factor and smart design, make it an ideal product to use in virtually any application where space is a limiting factor and where integration with other systems is achieved. Connect your Nexmosphere Elements of choice, such as presence sensors, pick-up detectors, touch buttons or LEDs, and build your own unique shopper journey; LED lighting that starts glowing when a shopper approaches, product info showed if a product is placed on an "info platform". Whichever interactivity suits your brand's story, create a lasting impression using the XN Xperience controller.



### **Features**

- 4x X-talk interface for easy sensor connection
- USB interface enabling 3rd party product integration

**X-talk interface** Connect a wide range of sensors, buttons, LEDs, or any other of the Nexmosphere Elements to create your own unique shopper experience. Due to auto-configuration, no additional setup is required for seamless operation. The X-talk interface also supports industry standard I/O devices, such as push buttons.

- Plug and smile interface
- Compatible with any of the Nexmosphere Elements
- Providing power to the connected Elements for easy system wiring

### **USB interface**

The industry standard USB interface allows 3rd party product interfacing. The Xperience controller manifests itself as a USB-to-Serial converter and is compatible with all mainstream operating systems and Digital Signage players.

In applications with low current requirements, no additional power supply is needed, reducing the need for a separate power connection in your set-up. When higher currents are drawn, our specially designed split cable is used.

- Reliable high-speed USB serial communication
- Easy interfacing with 3rd party products
- No special drivers needed

### **X-Script API**

The X-Script API runs on the controller by default. All connected Elements and system behavior can be controlled with our standardized API commands.

### **Benefits**

- Auto start-up and configuration for highly reliable standalone applications (24/7 operability)
- Ultra-small form factor for easy installation in or behind displays
- Cost-efficient controller for small applications
- Compatible with all Nexmosphere Elements
- USB powered: single cable connection

# XN-145 XPERIENCE CONTROLLER

## Thermal specifications

Operating temperature: +10°C...+40°C/ +50°F ... +104°F  
Storage temperature: -20°C...+50°C/ -4°F ... +122°F  
Cooling: Passive cooling (no moving parts)

## Electrical specifications

Operating voltage: 5VDC  
Power consumption: 150mA  
Max. system current: 2.0A  
Passive cooling (no moving parts)

## Serial communication specifications

Baudrate: 115200  
Data bits: 8 None  
Parity: Stop 1 None  
bits: Flow ASCII  
control: CR+LF  
Protocol:  
EOL:

## Standards and Certifications



RoHS

## Miscellaneous

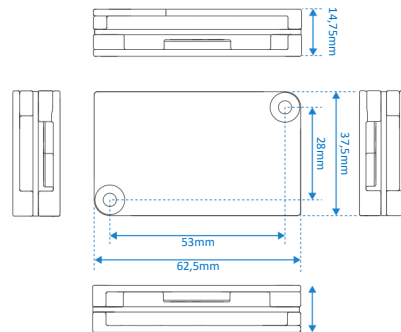
- Miniature housing with two mounting holes for secure screw fixing
- Build-in magnet for easy mounting on metal surfaces
- Horizontal and vertical mounting allowed
- Diagnostic LED indicating potential issues
- Status LED indicating power and input/output operations
- 1-year warranty (optional 3-year extended warranty available)

## Packaging

Netto weight: 100g  
Items per carton 1 or 10 pcs

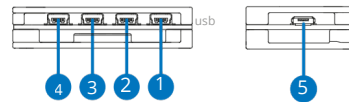
## Mechanical dimensions

LxWxH: 62,5 x 37,5 x 14,8 mm  
Screw fixation: 53 x 28 mm



## Hardware interfaces

1. X-talk+ interface 1
2. X-talk+ interface 2
3. X-talk+ interface 3
4. X-talk+ interface 4
5. 5V Power input Micro USB



## Ordering information

**Product ID**    **Description**

XN-145    Xperience controller USB (API), 4x X-talk

**Quantity**

1 pc