



EAX3

LED Area Luminaire



Catalog Number
Notes
Type

Hit the Tab key or mouse over the page to see all interactive elements.

Specifications

- EPA (ft²@0°):** 0.80 ft² 0.08 m²
- Length:** 37.6" (95.5 cm) (SRA mount)
- Width:** 16.1" (40.9 cm)
- Height:** 3.4" (8.7 cm) Main Body
7.3" (18.5 cm) Arm
- Weight:** 23 lbs (10.8 kg) (SRA mount)

Introduction

The EAX family provides the best combination of switchable technology including adjustable lumens, switchable CCT color temperature and exclusive four-optic SwitchOptics™ providing Type II, III, IV and V distribution patterns; all from a single luminaire. This vast feature-set allows maximum flexibility while managing the lowest possible SKU counts on the shelf or in-field on area lighting projects.

The EAX3 delivers 33,000 to 45,000 lumens. It is a great choice for lighting new sites or retrofit of existing HID area luminaires while providing long service life and fast payback. Choice of six different modular mountings offer a variety of labor savings features including "no-drill" mounting arms that fit the majority of existing pole drillings.

EAX3 Stock Luminaires with Mount Included

Catalog	Lumens (set on max)	Watts (set on max)	CCT (set on 40K)	Optics (set on T3)	Voltage	Mounting Type	Finish	CI Code	UPC	Pallet Qty
EAX3 ALO SWW2 SO UVOLT SRA PER DDB	32,000 - 45,000	199 - 313	30K/40K/50K	T2, T3, T4, T5	120-347V	SRA ships included	Dark Bronze	*292P8F	00198934598226	21

EAX3 Stock Luminaires Less Mount L/M (order mount separately, see mounting accessories)

Catalog	Lumens (set on max)	Watts (set on max)	CCT (set on 40K)	Optics (set on T3)	Voltage	Mounting Type	Finish	CI Code	UPC	Pallet Qty
EAX3 ALO SWW2 SO UVOLT L/M DDB	32,000 - 45,000	199 - 313	30K/40K/50K	T2, T3, T4, T5	120-347V	order mount separately	Dark Bronze	*292P7V	00198934598073	24
EAX3 ALO SWW2 SO UVOLT L/M BL	32,000 - 45,000	199 - 313	30K/40K/50K	T2, T3, T4, T5	120-347V	order mount separately	Black	*292P83	00198934598110	24
EAX3 ALO SWW2 SO UVOLT L/M WH	32,000 - 45,000	199 - 313	30K/40K/50K	T2, T3, T4, T5	120-347V	order mount separately	White	*292P8A	00198934598196	24

Notes: 1) PER NEMA photocell receptacle + shorting cap is standard on units shipped with mount included. 2) Units with L/M do not include mount in carton. Order mount on separate line (see accessories). 3) Acuity TLS twist-to-lock type sensor receptacle is standard on all luminaires. 4) Black (BL) and white (WH) finish only available on L/M type luminaires, held only at select distribution centers (check availability).

EAX Mounting Accessories (select one when ordering L/M luminaire - ships on separate line, match finish)

Catalog	Description	Finish	CI Code	UPC	Pallet Qty
EAX UPM DDB M6	Universal tilt arm square/round & pole top tenon mount	Dark Bronze	*292P92	00198934598424	240
EAX SRA DDB M6	Standard square and round pole arm	Dark Bronze	*292P95	00198934598431	240
EAX IS DDB M6	Adjustable slipfitter	Dark Bronze	*292P9E	00198934598530	360
EAX ASRP DDB M6	Adjustable tilt square and round pole arm	Dark Bronze	*292P9G	00198934598547	270
EAX WBA DDB M6	Wall bracket adapter	Dark Bronze	*292P9H	00198934598554	270
EAX YK DDB M6	Adjustable yoke	Dark Bronze	*292P9J	00198934598561	300

EAX UPM BL M6	Universal tilt arm square/round & pole top tenon mount	Black	*292P9M	00198934598639	240
EAX SRA BL M6	Standard square and round pole arm	Black	*292P9U	00198934598653	240
EAX IS BL M6	Adjustable slipfitter	Black	*292P9V	00198934598677	360
EAX ASRP BL M6	Adjustable tilt square and round pole arm	Black	*292PA5	00198934598752	270
EAX WBA BL M6	Wall bracket adapter	Black	*292PA7	00198934598783	270
EAX YK BL M6	Adjustable yoke	Black	*292PA9	00198934598806	300

EAX UPM WH M6	Universal tilt arm square/round & pole top tenon mount	White	*292PAC	00198934598820	240
EAX SRA WH M6	Standard square and round pole arm	White	*292PAF	00198934598851	240
EAX IS WH M6	Adjustable slipfitter	White	*292PAJ	00198934598868	360
EAX ASRP WH M6	Adjustable tilt square and round pole arm	White	*292PAK	00198934598882	270
EAX WBA WH M6	Wall bracket adapter	White	*292PAN	00198934598899	270
EAX YK WH M6	Adjustable yoke	White	*292PAR	00198934598943	300

Notes: 1) Mounting accessory required when ordering L/M type luminaires (available in master pack of 6, ships on separate line, match finish). 2) Mounting accessories include all necessary hardware to attach to and install luminaire. 3) Black (BL) and white (WH) finish only available on L/M type luminaires, held only at select distribution centers (check availability).



Ordering Information Configurable

EXAMPLE: EAX3 ALO SWW2 SO XVOLT IS PER DDB

EAX3					
Series	Package	Color Temperature	Distribution (Optics)	Voltage	Mounting
EAX3	ALO¹ 45,000 lumens (default setting) P4 42,000 lumens P3 39,000 lumens P2 36,000 lumens P1 28,000 lumens (nominal lumens by setting)	SWW2¹ 4000K (default setting) 30K 3000K 50K 5000K	SO¹ Switchable optics (default setting T3-Type III) T2 Type II T4 Type IV T5 Type V	UVOLT² 120-347V XVOLT³ 277-480V	SRA Square/round pole standard arm (fits 3.5" min SQ and 3" min dia. RND poles) IS Adjustable slipfitter (fits 2 3/8" OD tenon) ASRP Adjustable tilt square/round arm (fits 3.5" min SQ and 3" min dia. RND poles) UPM Universal square/round pole, top tenon mount (Fits 3.5" min SQ and 3" min dia. RND side mount, 2 3/8" OD pole top tenon) Choose (1) mounting (PER and mount ships included) (dark bronze only) ⁶ L/M⁷ Less mount Order mount separately (PER not included) (available in dark bronze, black and white)

Options	Other Configured Options	Finish
PER^{6,9,10} 3-wire twist-lock photocell receptacle (included as standard when chosen with one of these mounting options UPM, IS, SRA, ASRP)	PER7^{9,10,11,12,13} 7-wire twist-lock photocell receptacle DMG^{12,13} 0-10V dimming cord SPD10KV 10KV surge protection PIRH^{13,16} TLS ODP occupancy dimming/photocell provides ambient dusk-to-dawn and motion sensor dimming (100/30%) for 15'-40' mounting heights. NLTAIR2 PIRH^{13,16} Embedded wireless controls nLight AIR gen 2, PIR motion and on/off photocell for 15'-40' mounting heights (ships installed) PE12¹⁴ Twist-lock Photocontrol 120-277V (ships included) PE3¹⁴ Twist-lock Photocontrol 347V (ships included) PE4¹⁴ Twist-lock Photocontrol 480V (ships included)	DDB Dark Bronze BL⁸ Black (Available with L/M configurations only) WH⁸ White (Available with L/M configurations only)

Accessories

Ordered and shipped separately.

*292PAX	EAX3HSEGSBL M6	EAX3 House side and external glare shield kit, black finish
*220XM7	DLL127F 1.5 CUL JU	Photocell -SSL twist-lock (120-277V)
*219NHA	DLL347F 1.5 CUL JU	Photocell -SSL twist-lock (347V)
*219NHE	DLL480F 1.5 CUL JU	Photocell -SSL twist-lock (480V)
*232TL4	DSHORT SBK U	Shorting cap
*251FY6	AS3-5 490 DDBXD	Pole top tenon adapter 2 3/8" tenon 4 @ 90
*2948GT	TLS ODP BK	Twist-to-lock sensor, outdoor, black
*2948GS	TLS ODP WH	Twist-to-lock sensor, outdoor white
*289T19	IWP	Infrared wireless remote

NOTES

- See default settings under package, color temperature and optics. Other settings can be adjusted via switch in the field.
- UVOLT driver operates on any line voltage from 120-347V (50/60 Hz).
- XVOLT driver operates on any line voltage from 277-480V (50/60 Hz).
- YK and WBA mount can be purchased as accessories or combined on same order with (L/M) less mount luminaires.
- Acuity twist-to-lock type sensor receptacle is standard on all luminaires.
- PER + shorting cap standard on luminaires with mounting included in same shipping carton (available in dark bronze finish only). Not available with L/M, use PER7.
- Units with L/M do not include mounting with luminaire. Order mount as separate line item (see accessories).
- Black (BL) and white (WH) finish only available on L/M type luminaires. Held only at select distribution centers.
- Luminaires with option PER and PER7 do not include control as standard, order option (PE12, PE3, or PE4) included in carton or as accessory as separate line item (see other options).
- For units with option PER and PER7, the luminaire must be restricted to +/- 45° from horizontal aim per ANSI C136.10-2010. If aiming above 45 degree tilt, use EAX luminaires with configuration L/M.
- PER7 is compatible with standard twist-lock photocells for dusk to dawn operation or advanced control nodes that provide 0-10V dimming signals. Wire 4/Wire 5 wired to dimming leads on driver. Wire6/Wire7 capped inside luminaire.
- With option PER7 or DMG, the TLS sensor receptacle wires are disconnected allowing its connection directly to the driver dimming leads.
- Following options are not available/cannot share driver dimming leads in combination: PER7, DMG, PIRH, NLTAIR2.
- Option PE12, PE3 or PE4 photocells require one of option PER or PER7. PE4 requires option XVOLT.
- All EAX luminaires are to be installed and aimed facing downward, for down lighting only.
- Sensor body finish available in black for combination with DDB and BL luminaires. Also available in white for combination with WH luminaires.



Items marked by a shaded background qualify for the Design Select program and ship in 15 days or less. To learn more about Design Select, visit www.acuitybrands.com/designselect.

*See ordering tree for details

External Shields



House Side / External Glare Shield Kit
 (Note: Shield is reversible, can be used rear and forward facing.
 Single back panel used as (HS) house side shield)



Three Sided External Glare Shield
 (EGSR rear facing)

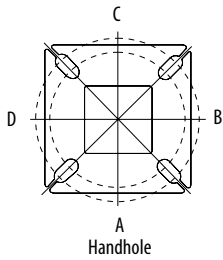


House Side Shield
 (HS)

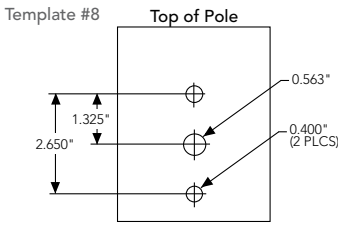
Pole/Mounting Information

Accessories including bullhorns, cross arms and other adapters are available under the accessories tab at Lithonia's Outdoor Poles and Arms product page. Click here to visit [Accessories](#).

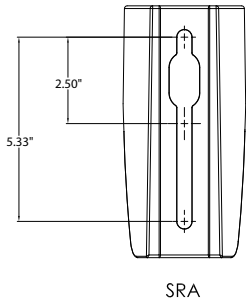
HANDHOLE ORIENTATION



EAX SRA AND ASRP POLE DRILLING

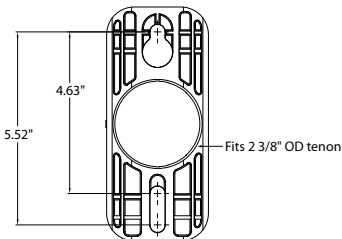


SRA STANDARD ARM AND ASRP ADJUSTABLE ARM (on-center pole drilling range)



SRA

UPM Mount / Drilling Dimensions



Round Tenon Mount - Pole Top Slipfitters

Tenon O.D.	EAX Mounting	Single	2 at 180°	2 at 90°	3 at 120°	3 at 90°	4 at 90°
2 - 3/8"	SRA, ASRP	AS3-5 190	AS3-5 280	AS3-5 290	AS3-5 320	AS3-5 390	AS3-5 490
2 - 7/8"	SRA, ASRP	AST25-190	AST25-280	AST25-290	AST25-320	AST25-390	AST25-490
4"	SRA, ASRP	AST35-190	AST35-280	AST35-290	AST35-320	AST35-390	AST35-490

Drill/Side Location by Configuration Type

Drilling Template	Mounting Option	Single	2 @ 180	2 @ 90	3 @ 120	3 @ 90	4 @ 90
	Head Location	Side B	Side B & D	Side B & C	Round Pole Only	Side B, C & D	Side A, B, C & D
#8 drilling (used with SRA or ASRP arms)	Drill Nomenclature	DM19AS	DM28AS	DM29AS	DM32AS	DM39AS	DM49AS

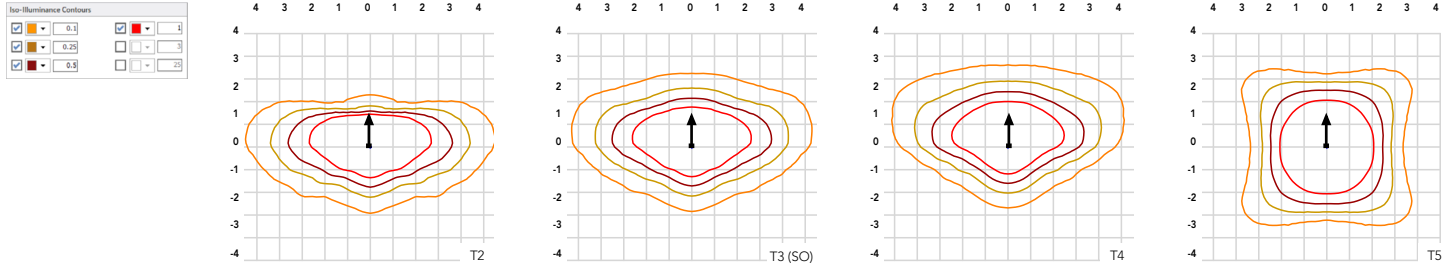
EAX3 - Luminaire EPA

*Includes luminaire and integral mounting arm. Other tenons, arms, brackets or other accessories are not included in this EPA data.

Fixture Quantity & Mounting Configuration	Single	2 @ 90	2 @ 180	3 @ 90	3 @ 120	4 @ 90	2 Side by Side	3 Side by Side	4 Side by Side	
SRA - Square / Round Pole Arm	0°	0.80	1.46	1.59	1.92	1.86	2.01	1.28	1.83	2.41
Covers following mounting types: IS - Adjustable Slipfitter ASRP - Adjustable Square / Round Pole Arm UPM - Universal Tilt Square / Round & Pole Top Tenon Arm	0°	0.80	1.46	1.59	1.92	1.86	2.01	1.28	1.83	2.41
	10°	1.03	2.07	2.07	2.56	2.64	3.18	2.04	3.16	4.16
	20°	1.64	3.07	3.27	4.19	4.49	5.03	3.30	4.95	6.63
	30°	2.29	4.01	4.42	5.64	5.48	6.81	4.58	6.88	9.20
	40°	2.87	4.86	5.50	6.96	6.74	8.37	5.78	8.60	11.46
	50°	3.37	5.58	6.42	8.04	7.78	9.62	6.73	10.10	13.46
	60°	3.77	6.17	7.14	8.82	8.74	10.48	7.54	11.31	15.07
	70°	4.06	6.60	7.62	9.14	9.43	10.75	8.13	12.19	16.24
	80°	4.23	6.85	7.84	8.83	9.77	9.99	8.46	12.70	16.94
	90°	4.28	6.94	7.87	8.11	10.03	8.65	8.56	12.85	17.13

Note: EPA for EAX1HSEGS house side/glare shield accessory installed on EAX2 luminaire is 1.40 sq.ft. at 0° tilt.

Isofootcandle plots for the EAX3 ALO SWW2. Distances are in units of mounting height (30').



Performance Data

Lumen Output

Lumen values are from photometric tests performed in accordance with IESNA LM-79-08. Data is considered to be representative of the configurations shown, within applicable tolerances. Contact factory for performance data on any configurations not shown here.

Performance Package	System Watts (nominal)	Distribution Type	30K (3000K, 70 CRI)					*40K (SWW2) (4000K, 70 CRI)					50K (5000K, 70 CRI)				
			Lumens	B	U	G	LPW	Lumens	B	U	G	LPW	Lumens	B	U	G	LPW
P1	199	T2	31,857	4	0	4	158	34,564	4	0	4	171	32,972	4	0	4	163
		*SO (T3)	31,233	4	0	5	165	33,954	4	0	5	176	32,591	4	0	5	172
		T4	28,903	3	0	5	144	31,311	3	0	5	155	29,862	3	0	5	148
		T5	30,396	5	0	3	151	32,883	5	0	3	163	31,255	5	0	3	155
P2	218	T2	33,710	4	0	4	153	36,801	4	0	4	166	34,675	4	0	4	158
		*SO (T3)	33,417	4	0	5	162	36,549	4	0	5	173	34,678	4	0	5	168
		T4	30,717	3	0	5	140	33,541	3	0	5	151	31,635	3	0	5	143
		T5	32,351	5	0	3	147	35,245	5	0	3	159	33,180	5	0	3	151
P3	241	T2	36,320	4	0	4	149	39,966	4	0	4	162	37,293	4	0	4	153
		*SO (T3)	36,096	4	0	5	159	39,807	4	0	5	170	37,481	4	0	5	165
		T4	33,020	3	0	5	136	36,395	4	0	5	147	33,984	3	0	5	140
		T5	34,922	5	0	3	144	38,396	5	0	4	155	35,813	5	0	3	147
P4	263	T2	38,869	4	0	4	146	43,154	5	0	5	159	39,968	4	0	4	150
		*SO (T3)	38,736	4	0	5	156	43,080	4	0	5	168	40,208	4	0	5	162
		T4	35,154	4	0	5	132	39,156	4	0	5	144	36,300	4	0	5	136
		T5	37,307	5	0	4	140	41,384	5	0	4	153	38,284	5	0	4	144
*ALO	313	T2	44,748	5	0	5	140	49,434	5	0	5	155	46,355	5	0	5	145
		*SO (T3)	44,798	4	0	5	152	49,432	4	0	5	165	46,666	4	0	5	158
		T4	40,469	4	0	5	127	44,632	4	0	5	140	41,745	4	0	5	131
		T5	42,639	5	0	4	134	46,955	5	0	4	148	43,978	5	0	4	138

* Indicates default setting on luminaire configurations when ordered as ALO SWW2 SO

Performance Data

ALO-Watts/ SWW2 CCT Switching Diagram

Luminaire Default Settings

ALO = Lumens / watts (set on high)
SWW2 = 4000 CCT (set on 40K)



SO SwitchOptics™ 4-Optic Switching

Luminaire Default Settings

SO = T3 (set on Type III)



SWITCHABLE SETTINGS	EAX3	
	Lumens	Watts
*ALO - Max (Adjustable lumen output)	45,000	313
P4	41,000	263
P3	39,000	241
P2	36,000	218
P1 - Min (lowest setting)	32,000	199
SWW2 - Switchable Color Temperature (CCT)	3000K / *4000K / 5000K	
SO - Switchable Optics	T2 / *T3 / T4 / T5	

Note: * Indicates default factory setting.
Watts and lumens are nominal values.

Lumen Ambient Temperature (LAT) Multipliers

Use these factors to determine relative lumen output for average ambient temperatures from -30°C - 40°C (-22°F - 104°F)

Ambient Temperature		Lumen Multiplier
-30° C	-22° F	1.05
-20° C	-4° F	1.04
-10° C	14° F	1.03
0° C	32° F	1.02
10° C	50° F	1.01
20° C	68° F	1.00
25° C	77° F	1.00
30° C	86° F	0.99
40° C	104° F	0.97

Projected LED Lumen Maintenance

Data references the extrapolated performance projections for the platforms noted in a 25°C ambient, based on 10,000 hours of LED testing (tested per IESNA LM-80-08 and projected per IESNA TM-21-11)

To calculate LLF, use the lumen maintenance factor that corresponds to the desired number of operating hours below. For other lumen maintenance values, contact factory.

Projected Lumen Maintenance			
0 Hrs	25,000 Hrs	50,000 Hrs	100,000 Hrs
100%	93%	86%	75%

Electrical Load - UVOLT (120-347V)

Performance Package	System Watts	Current(A)				
		120V	208V	240V	277V	347V
P1	199W	1.66	0.95	0.83	0.72	0.6
P2	218W	1.84	1.07	0.92	0.80	0.66
P3	241W	1.95	1.09	0.95	0.83	0.69
P4	263W	2.11	1.22	1.05	0.91	0.75
ALO-Max	313W	2.57	1.41	1.23	1.06	0.87

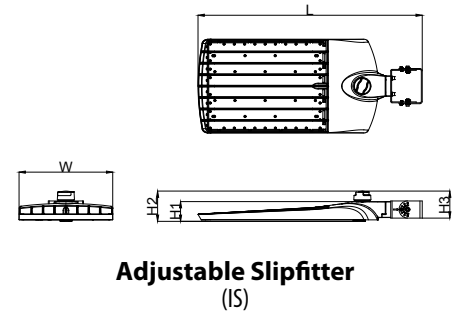
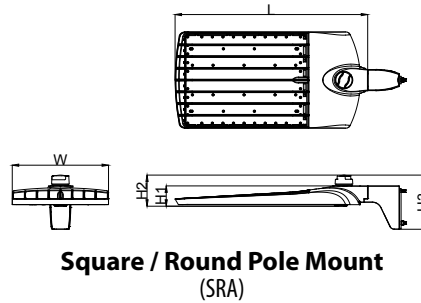
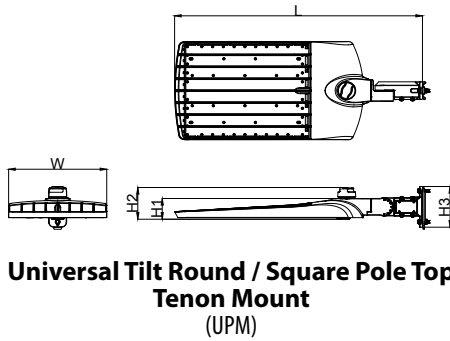
Electrical Load - XVOLT (277 - 480V)

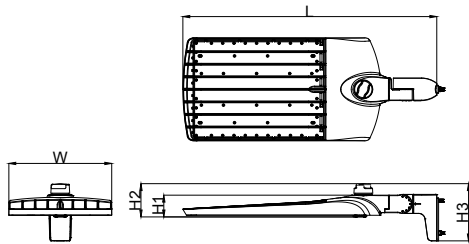
Performance Package	System Watts	Current(A)		
		277V	347V	480V
P1	199W	0.71	0.58	0.46
P2	218W	0.78	0.63	0.5
P3	241W	0.86	0.69	0.53
P4	263W	0.93	0.74	0.57
ALO-Max	313W	1.12	0.89	0.67

Dimensions and Weights

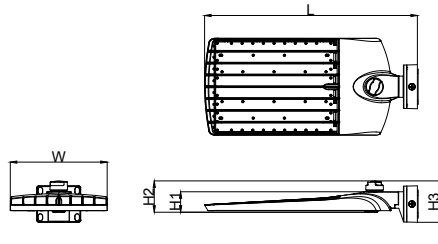
EAX1 Luminaire + Mounting Option	Mounting Description	Luminaire Total Weight (lbs)	Image	DIMENSIONS (inches)				
				Length	Width	Height (H1) (main body)	Height (H2) (w/ shorting cap)	Max Height (H3) (w/ arm & shrt cap)
L/M	Less mount	21	N/A	32.29	16.14	3.41	N/A	N/A
UPM	Universal pole mount arm with tilt, square / round & pole top 2-3/8" tenon mount	25		40.78			6.69	
SRA	Square / round pole standard arm mount	23		37.61			9.09	
IS	Adjustable slipfitter for 2-3/8" OD tenon	24		40.13			5.22	
ASRP	Adjustable arm with tilt for square / round pole	25		39.84			8.98	
WBA	Wall bracket with 3/4" surface conduit hubs	24		35.45			6.90	
YK	Yoke mount	25		38.63			5.22	

Note: Line drawings for reference, see chart for weight overall dimensions by mounting type.

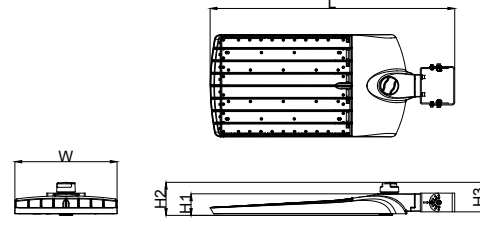




Adjustable Round / Square Mount (ASRP)



Wall Bracket with Surface Conduit (WBA)



Yoke Mount (YK)



EAX3 with option NLTAIR2 PIRH



EAX3 with option PIRH (TLS Sensor)

NLTAIR2 PIRH Default Settings

OUT-OF-THE-BOX SETTINGS

Occupancy Enabled / To Dim State: 7.5 Minutes
 High Trim Occupied Dim Level: 100%
 Low Trim Unoccupied Dim Level: 30%
 Photo Control Enabled / Setpoint: 2.5fc
 Dimming Fade Rate: 5 minutes
 Photocell Transition Time Off: 5 minutes
 Photocell Transition Time On: 45 seconds

*Settings are adjusted using ClarityProTM App

TLS ODP Default Settings

OUT-OF-THE-BOX, FIELD-SETTABLE DEFAULTS:

Occupancy: 10-minutes
 High Trim: 100%
 Photocell setpoint: 3 fc

OUT-OF-THE-BOX, FIXED DEFAULTS:

Low Trim: 30% (static value)
 Fade Down Rate1: 30 seconds
 Photocell Transition2 Time Off : 5 minutes
 Photocell Transition3 Time On: 30 seconds

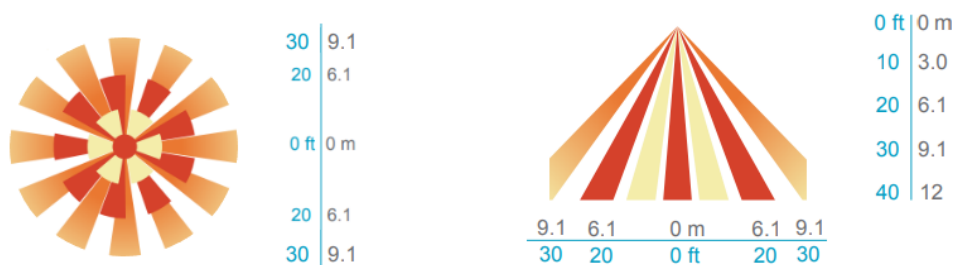
*Field-settable settings can be adjusted using the IWP accessory (infrared wireless remote)



1. Time period from when motion time delay expires to when lights are at low trim level.
2. The time period after the photocell measures a light level above the set-point (+ deadband) that it will turn lights off.
3. The time period after the photocell measures a light level below the set-point that it will turn lights on

*Visit [TLS ODP](#) for more information

Sensor Detection Pattern



- Sensor detection / coverage pattern is based on luminaire at 0° orientation. The sensor is designed to perform effectively across typical tilt angles, though the coverage pattern will adjust with orientation.
- Reliable detection of large motion (e.g. pedestrian walking traffic) up to 30 ft. (9.1 m) mounting height
- Reliable detection of extra-large motion (e.g. vehicular) up to 40 ft. (12 m) mounting height
- Tested to NEMA WD 7-2011

FEATURES & SPECIFICATIONS

INTENDED USE

The EAX family offers a site wide solution providing everything needed to light new exterior sites and retrofit existing HID area luminaires using the fewest amount of configurations. EAX features the broadest range of on-board switchable technology to adjust lumens, color temperature and now, uses exclusive SwitchOptics™, providing four-optic switching, including Type II, III, IV and V distributions, all from the same luminaire. This superior flexibility allows for fast and easy installation while helping reduce SKU counts and inventory costs. EAX is a great choice for pole mount and other applications including large area lighting, parking lots, storage areas, retail, office and other exterior spaces.

CONSTRUCTION

Die-cast aluminum housing with heat-dissipating fins enhances LED efficacy and component life. Driver is accessible through a hinged die-cast aluminum door for easy maintenance. The light engine and driver compartment is completely sealed against moisture and environmental contaminants and rated IP66. Injection-molded one-piece optics are made of high-strength polycarbonate and rated IK08. Housing features a unique modular arm mount system allowing easy installation, for fast and simple luminaire change-out through six different mounting types that accommodate the vast needs of existing equipment used throughout area lighting applications.

ELECTRICAL

Light engine consists of high-efcacy LEDs mounted to metal-core circuit boards to maximize heat dissipation and promote long life (up to L75/100,000 hours at 25°C). The 0-10V dimming, electronic driver has a power factor of >90% and THD <20%. Standard 6KV surge protection included, optional 10KV surge available.

ON-BOARD SWITCHABLE TECHNOLOGY

All luminaires provide this standard set of features providing maximum in-field adjustability to accommodate the vast needs of lighting jobs. All switches are protected yet accessible via exterior on the driver compartment. Adjustable Lumen Output (ALO): Provides 5-step dimming, allowing the contractor to adjust the lumen levels based on application needs. Luminaires ship on the maximum ALO setting and can easily be changed to other positions P4 / P3 / P2 / P1, when less light and/or more energy savings is desired. Switchable Correlated Color Temperature (CCT): Luminaires ship on the SWW2, 4000K setting and can easily be changed to 3000K or 5000K color temperature. SwitchOptics™ 4-Optic Switching. This feature provides the benefit of using a single luminaire to provide four different photometric distributions. Luminaires ship on setting SO = T3 (Type III) distribution, and can easily be changed to other distribution patterns T2, T4 and T5.

CONTROLS

All EAX luminaires include an Acuity TLS twist-to-lock sensor-ready twist-to-lock receptacle. Option PIRH features a factory installed SensorSwitch™ TLS ODP (occupancy dimming/photocell) sensor with default settings and can be reprogrammed from the ground via wireless remote (IWP). Luminaires can also be configured to ship with nLight AIR™ Networked, Bi-Level motion / ambient sensors. Option (PER) 3-wire twist-lock photocell receptacle with shorting cap is included as standard on stock SKUs with mounting arm included. Type L/M luminaires can be configured with option (PER7) 7-wire twist-lock photocell receptacle with pins 4/5 connected to driver dimming leads and pins 6/7 capped.

INSTALLATION

The EAX3 is light weight and easy to install by a single person. The vast assortment of mountings are easily interchanged using two bolts and do not require one to open the luminaire during installation. EAX features three types of "no-drill" arms that help save labor, time and money by accommodating the largest range of pre-existing pole drillings. Adjustable tilt (UPM / ASRP) and non-tilt (SRA) mounting arms are available and all three can be used on minimum 3" O.D. round and 3.5" minimum square poles. 2-3/8" adjustable slipfitter (IS), and adjustable yoke (YK) are available. A wall bracket (WBA) is available and includes qty (4) 3/4" conduit taps for surface conduit wiring. Some configurations include the mounting shipped in the same carton as the luminaire. Luminaires with less mount (L/M) must use/choose a separate mounting accessory ordered and shipped as a separate line item. All EAX luminaires are to be installed and aimed facing downward, for down lighting only.

LISTINGS

UL Listed to U.S. and Canadian safety standards for wet locations and NOM certified. Tested in accordance with IESNA LM-79 and LM-80 standards. Operating temperature -40C to 40C. DesignLights Consortium® (DLC) Premium qualified product and DLC qualified product. Not all versions of this product may be DLC Premium qualified or DLC qualified. Please check the DLC Qualified Products List at www.designlights.org/QPL to confirm which versions are qualified.

WARRANTY

5-year limited warranty. This is the only warranty provided and no other statements in this specification sheet create any warranty of any kind. All other express and implied warranties are disclaimed. Complete warranty terms located at:

www.acuitybrands.com/support/warranty/terms-and-conditions

Note: Actual performance may differ as a result of end-user environment and application. All values are design or typical values, measured under laboratory conditions at 25 °C. Specifications subject to change without notice.



COMMERCIAL OUTDOOR

1 Acuity Way, Decatur, GA 30035 • Phone: 1-800-705-SERV (7378) • www.acuitybrands.com
© 2025-2026 Acuity Brands Lighting, Inc. All rights reserved.

EAX3
Rev. 02/13/26
Page 8 of 8