

**DS-D41Q15CA-1PH**

**LED-D41Q15CA-1PH,indoor,1.53mm,320\*160mm,3840hz**



- Supports seamless image stitching in any direction, size and shape and displays stitched images uniformly and consistently without black lines
- Uses the ultra-high refresh rate to display delicate and smooth video images
- Uses the broadcast grayscale processing to show more image details
- High brightness and high contrast

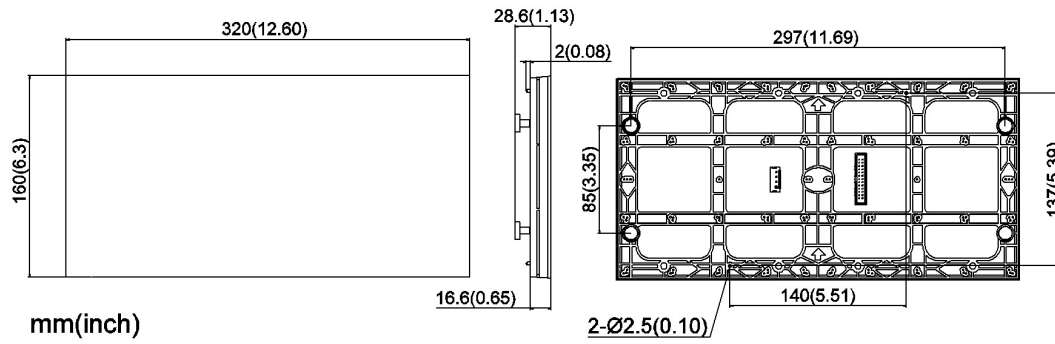
## ▪ Specification

<b>Product Model</b>	
Product Model	DS-D41Q15CA-1PH
<b>Module</b>	
Pixel Configuration	SMD Triad LED
Pixel Pitch Category	P1.5
Pixel Pitch	1.538 mm
Lamp Bead Dimensions	1212
Dimensions (W × H × D)	320 mm × 160 mm × 17 mm
Resolution	208 × 104
Pixel Density	422500
Signal Source Interface	HUB320
<b>Display</b>	
White Balance Brightness	550cd/m <sup>2</sup>
Color Temperature	3000—10000K adjustable
Viewing Angle	160°(H)/160°(V)
Brightness Uniformity	≥97%
Color Uniformity	≤ ± 0.003Cx, Cy
Contrast Ratio	3000:1
Refresh Rate	3840 Hz
<b>Processing Performance</b>	
Scanning Amount	52
Grey Level	Up to 16 bit
<b>Power</b>	
Max. Consumption	≤ 600 W/m <sup>2</sup>
Average Consumption	< 290 W/m <sup>2</sup>
Input Voltage	DC: 4.5~5V
<b>Working Environment</b>	
Working Temperature	-10 ℃ to 40 ℃ (14 ℃ to 104 ℃)
Working Humidity	10% to 80% RH (without condensation)
Storage Temperature	-20 ℃ to 60 ℃ (-4 ℃ to 140 ℃)
Storage Humidity	10% to 85% RH (without condensation)
<b>General</b>	
Package Dimensions (W × H × D)	673 (W) mm × 248 (H) mm × 390 (D) mm ( (20 cabinets in 1 box) )
Packing List	Several high magnetic brackets Several LED lamp beads and IC components Several signal cables and power cables
Gross Weight	0.55 Kg
Net Weight	0.48 Kg
Weight	0.48 Kg

## ▪ Available Model

DS-D41Q15CA-1PH, indoor, 1.5, 320\*160mm, 海康  
 DS-D41Q15CA-1PH, 320\*160, HIK/HOB(土耳其-T)

▪ Dimension



**Headquarters**

No.555 Qianmo Road, Binjiang District,  
Hangzhou 310051, China  
T +86-571-8807-5998  
www.hikvision.com



Follow us on social media to get the latest product and solution information.

