

**DS-TMP00A-A(EU)**  
**Floor Standing Pole for AC charger**



- AC Wall-Mounted Charging Station Pole

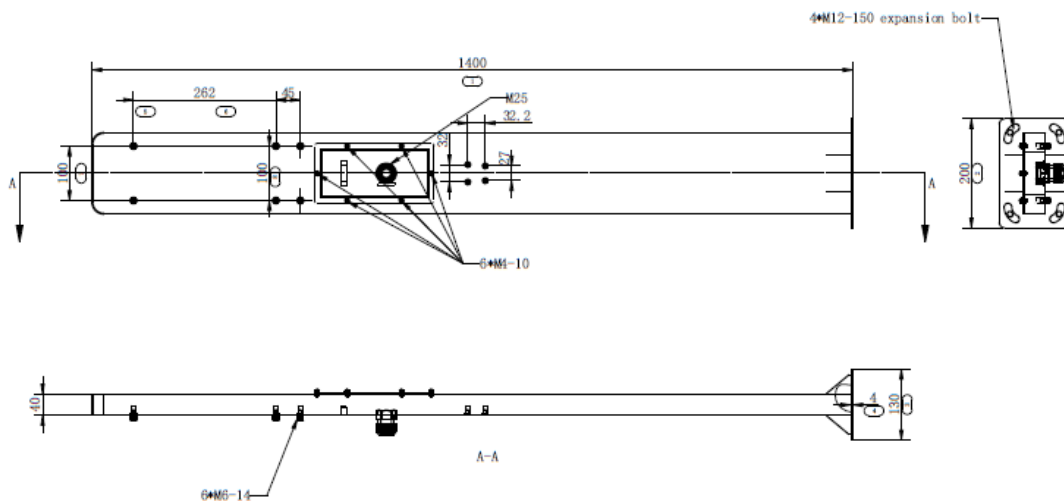
## ▪ Specification

Model		DS-TMP00A-A7W(EU)	DS-TMP00A-A22W(EU)
Specifications	Installation Mode	Floor Mounting	
Environmental Property	Protection Level	IP67 IK10	
General	Dimension	1400 mm × 100 mm × 40 mm (55" × 4" × 1.6")	
	Weight	Approx. 5 kg (11 lb)	
General	Working Environment	-40°C to 80°C (-40°F to 176°F)	

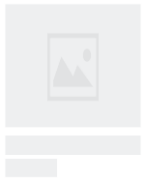
## ▪ Available Model

DS-TMP00A-A22W(EU)

## ▪ Dimension



## ▪ Accessory



DS-TMP102-A1(22kW)(EU)



DS-TMP102-A1(7kW)(EU)

# See Far, Go Further



[www.hikvision.com](http://www.hikvision.com)  
[support@hikvision.com](mailto:support@hikvision.com)

