

C46 Specification

Streamax

Single-channel BSD camera

Product Picture



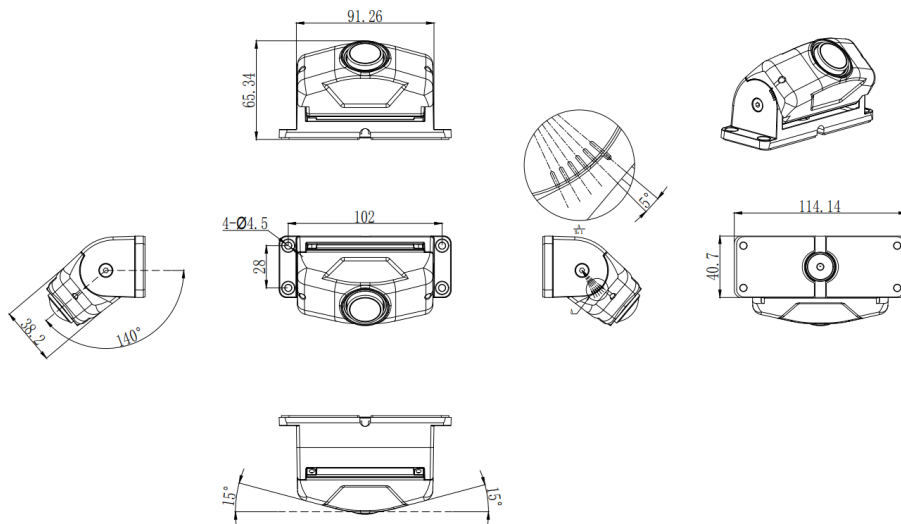
Main features

- BSD alarm, achieving active safety
- Support pedestrian detection, roadside recognition, and pedestrian motion trend prediction
- Intelligent black light full-color night vision
- High definition 1080P, horizontal 175 ° wide angle
- The exposed design of the lens minimizes the impact of rain and dust on imaging
- Meets the seismic structural design of vehicles, with a protection level of up to IP69K
- Supporting bidirectional UTC function
- Support multi interface alarm output (IO, UTC, IPC, RS485), multi-level alarm
- AHD/CVBS, PAL/NTSC video output can be set, supporting external displays
- IPC video output, supporting external MDVR and calibration
- Supports GPS, vehicle speed, and turn signal inputs
- Single model suitable for different installation positions
- Diverse combinations of solutions
- Typical applications: blind spot detection for large vehicles, intelligent upgrade of ordinary MDVR

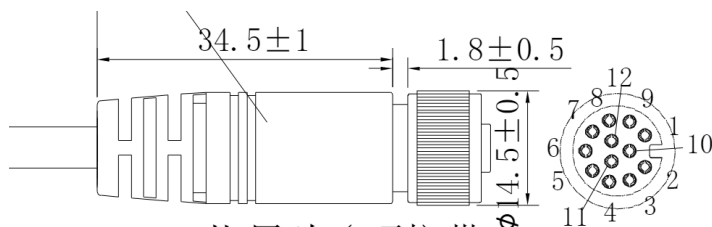
Specification

Product Model	C46
Sensor	1/2.8" 2.0MP CMOS
Resolution	1920(H)x1080(V)
Minimum Illumination	0.01Lux
Algorithm Illuminance	≥3Lux
Electronic Shutter	1/30s-1/10000s
Black-light Compensation	Support
Signal-to-noise ratio (S/N)	≥42dB
Fill Light	N/A
Lens	Focal length 1.9mm, Aperture F1.9
FOV	HFOV: 175° VFOV: 92°
Analog video output	RS765-4 aviation female connector (By converting lines)
Format and resolution	Adjustable support: AHD: PAL 1080P/720P@25FPS、NTSC 1080P/720P@30FPS

	CVBS: PAL:720*576@25FPS; NTSC: 720x480@30FPS
Bidirectional UTC function	Support
Digital video output	IPC, RS765-6 aviation female connector (By converting lines)
Video coding	H.264/H.265 optional, default H.264
Bit rate	512Kbps-8Mbps
Image Resolution	Main Stream:1080P @ 30fps
	Sub Stream:VGA/D1/CIF @ 10FPS 默认 VGA 10FPS
	Net Transmission Stream: Dynamic (Adjustable)
CBR/VBR/CVBR	Support, Default VBR
Audio Compression Standard	N/A
UART	RS232*1、RS485*1
Network Port	10M/100M Adaptive Ethernet Port
Audio Input	N/A
Audio Capture Range	N/A
Network Protocol	TCP/IP、HTTP、DHCP、NTP、FTP
N9M	Support
Client Preview	Built-in WEB Server and Support IE Browser, HTML5
Simple calibration	Support
Adjustable Angle	Adjustable Angle in Vertical Direction: 20~50 Degree, No Adjustment in Horizontal Direction
Installation Features	Installed at the Exterior Sides of the Vehicle
Operation Temperature	-40℃- +70℃
Operation Humidity	0% - 90%
Power Supply	PON (DC9-16V) (By converting lines)
Waterproof Class	IP69K
Power Consumption	Normal Working State <3W
Dimension(Unit in mm)	114.14mm(L)x40.7mm(W)x65.34mm(H)
Dimension(Unit in mm)	



Tail line definition



M12-12芯母头(A型)带屏蔽壳, 自带防水圈

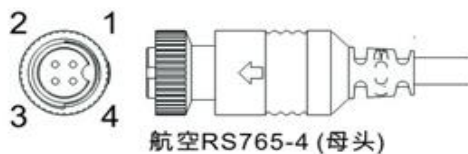
M12-12母头

- 6 RX- 绿线
- 5 RX+ 黄线
- 4 TX- 橙线
- 3 TX+ 白线
- 8 GND 黑线
- 8 GND 黑白线
- 10 12V IN 红线
- 2 232TX 蓝线
- 1 232RX 棕线
- 9 485B 灰线
- 11 485A 红白线
- 外壳 外屏蔽+3*内屏蔽

M12-12母头

- 7 V-GND 内编织
- 12 VIDEO 本色线

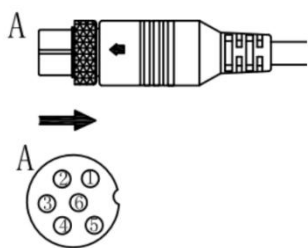
Analog video output interface (By converting lines)



航空RS765-4 (母头)

- 1---12VDC(+)
- 2---12GND(-)
- 3---N/A
- 4---AHD VIDEO

Digital video output interface (By converting lines)



- 1---TXN-
- 2---TXP+
- 3---12DC(+)
- 4---RXN-
- 5---RXP+
- 6---GND