

**DS-MCW409/N2
Body Camera**

- 2560 × 1440 recording.
- Max. 40 M (8832 × 4960) resolution of the captured picture.
- IR function to recognize the facial features in the captured picture even in dim environment.
- Waterproof, dustproof, and anti-fall with 2 m fall protection height, applicable to all-day field work.
- 4G/Wi-Fi network connection with flexible wireless transmission.
- Replacing the battery without powering off

▪ Specification

Model		DS-MCW409/N2
CPU	CPU	8 cores, 64 bit, Main frequency: 2.0 GHz
	Image Sensor	1/3" progressive scan CMOS
Camera	Max. Recording Resolution	2560 × 1440
	Min. Illumination	Color: 0.11 Lux @ (F2.2, AGC ON), 0 Lux with supplement light
	White Light	Supported
	Day & Night	Switch IR cut filter automatically
	Focal Length	2.4 mm fixed lens
Lens	Aperture	F2.2
	FOV	Horizontal FOV: 132°, Vertical FOV: 72°, Diagonal FOV: 148°
	Main Stream	60 Hz: 30 fps / 15 fps / 5fps (2688 × 1512, 1920 × 1080, 1280 × 720, 720 × 576)
Video	Pre-record & Post-record	Pre-record: 60/10/5/3 s, Post-record: 60/10/5/3 s
	Video Compression	H.264,H.265
	Sub-Stream	30 fps (1920 × 1080, 1280 × 720, 720 × 576)
	Video Format	MP4,PS
	Audio Compression for Video Recording	AAC,G722
Audio	Audio Compression for Audio Recording	PCM
	Audio Compression for Group Intercom	G711.A,G711.U,G722
	Audio Bit Rate	G722(16 kbps) ,AAC(dynamic),PCM(256 kbps),G711.A(64 kbps) ,G711.U(64 kbps)
	Resolution	40 M (8832 × 4960) 30 M (7424 × 4196) 16 M (5376 × 3024) 5 M (3072 × 1728)
Image	Image Format	JPEG

Image Stabilization Algorithm	Image Stabilization Algorithm	GIS: Optional
Screen	Screen Size	2.4"
	Touchscreen	Supported
	Screen Brightness	Typical value: 540 cd/m ²
	Display Resolution	320 × 240
Storage	ROM	64 GB by default, 128/256 GB optional
	RAM	2 GB
IR	IR Range	Up to 10 m, Illumination range greater than 90%
	IR Wavelength	850 nm
Wireless Network	Wi-Fi Protocol	802.11 a/b/g/n/ac
	Positioning Mode	GPS
	Wi-Fi Frequency Band	2.412 to 2.472 GHz, 5.15 to 5.25 GHz, 5.725 to 5.875 GHz
	Bluetooth	BT5.0
	Cellular Network	GSM: 850/900/1800/1900, WCDMA: B1/B2/B4/B5/B8 LTE: B1/B2/B3/B4/B5/B7/B8/B20/B28/B34/B38/B39/B40/B41
	NFC	Optional
Network	API	ISAPI, SDK, ISUP
	Protocol	HTTPS, RTSP, NTP, FTP
Security	Encryption	AES128, AES256
	Watermark	Supported
Interface	Audio Type	2 built-in mic(s), 1 speaker(s)
	USB	1 USB 2.0 port(s)
	Button	Power, Video recording, PTT, SOS, Picture capture, Audio recording
	SIM Card	1 Nano-SIM card(s)
	Indicator	2 indicator(s) for charging/working/recording/exception
	Laser Positioning	Supported
	Charging Interface	Type-C, Pogo Pin
Smart Functions	Face Picture Capture	Supported
	Face Picture Recognition	Optional
	License Plate Recognition	Optional

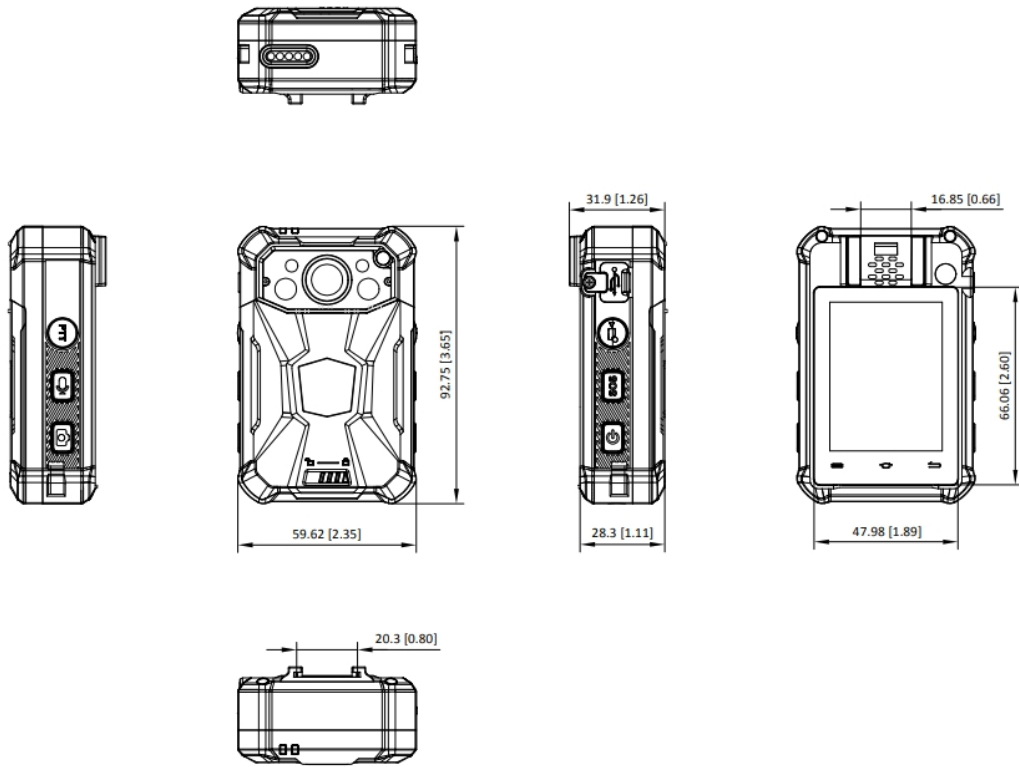
Event	Basic Event	SOS alarm
Group Intercom	Group Intercom	Supported
General	Power	5 VDC, 2.0 A, max. 10 W
	Weight	194.5 g (without mounting) (0.4 lb.)
	Dimensions	92.8 mm × 59.7 mm × 28.5 mm (3.7" × 2.4" × 1")
	Speaker	1 built-in speaker(s), max. power consumption: 1 W, max. sound pressure level: 95 dB (10 cm)
	Client	HikCentral Pro,HikCentral Master
	Operating System	Android 14
	Operating Condition	-20 °C to 55 °C (-4 °F to 131 °F). Humidity 95% or less (non-condensing)
	Vibration Motor	Optional
	Gyroscope	Supported
Battery	Battery Life	Up to 12h in 720p resolution ¹
	Embedded Sub-Battery	50 mAh,Models with SE are not supported.
	Capacity	3200 mAh
	Charging Time	≤ 4 h
	Battery Type	Lithium-ion battery, dismountable
Approval	EMC	CE-EMC: EN 55032: 2015,EN 61000-3-2:2019,EN 61000-3-3:2013,EN 50130-4:2011 +A1: 2014
	RF	EN 300 328 V2.1.1 (BT or 2.4G),EN 62311:2008 (BT or 2.4G),EN 55032:2015,EN 61000-3-2:2014,EN 61000-3-3:2013,EN 50130-4:2011+A1:2014),CE-RED: EN 300 330V2.1.1
	Environment	CE-RoHS: 2011/65/EU,WEEE: 2012/19/EU,Reach: Regulation (EC) No 1907/2006,CE-RoHS: EN IEC63000:2018
	Protection	IP68: IEC 60529-2013
	Safety	CB: IEC 62368-1:2014+A11,IEC 62368-1: 2018,CE-LVD: EN 62368-1:2014/A11: 2017,EN IEC 62368-1:2020+A11:2020,CE-LVD: EN 62368-1:2014/A11: 2017
Drop Test	Drop Test	MIL-STD-810G, 2 m drop test
Warranty	Warranty	2 years for the device without battery, 1 year for the battery

▪ Available Model

DS-MCW409/N2/64G/GLE

DS-MCW409/SE/N2/64G/GLE

▪ Dimension



See Far, Go Further



www.hikvision.com
support@hikvision.com

