

DS-2SE2C400MWG-E/14 TandemVu 4MP+4MP Fixed Lens POE PT Network Camera



- Capture a large area and details at the same time
- Support Human and Vehicle detection
- Smart Hybrid Light: advanced technology with long range
- Hik-Connect cloud service and app for remote management and views of devices
- Built-in microphone and speaker for real-time audio security
- Built-in memory card slot, support microSD/SDHC/SDXC card, up to 512 GB
- Water and dust resistant (IP66)

▪ Specification

Camera	
Image Sensor	[Bullet channel] 1/2.8" Progressive Scan CMOS [PTZ channel] 1/2.8" Progressive Scan CMOS
Min. Illumination	[Bullet channel] Color: 0.005 Lux @ (F2.0, AGC ON), B/W: 0.005 Lux @ (F2.0, AGC ON), 0 Lux with IR [PTZ channel] Color: 0.005 Lux @ (F2.0, AGC ON), B/W: 0.005 Lux @ (F2.0, AGC ON), 0 lux with IR
Shutter Speed	1 s to 1/30,000 s
Slow Shutter	Yes
Day & Night	ICR
Max. Resolution	[Bullet channel] 2560 × 1440, [PTZ channel] 2560 × 1440
Lens	
Focal Length	[Panoramic channel] 2.8 mm, [PTZ channel] 8 mm
FOV	[Panoramic channel] horizontal field of view: 94°, vertical field of view: 49°, diagonal field of view: 114°, [PTZ channel] horizontal field of view: 44°, vertical field of view: 24°, diagonal field of view: 51°
Aperture	[Bullet channel] F1.6, [PTZ channel] F1.6
Illuminator	
Supplement Light Type	[Bullet channel] Hybrid (IR and White Light), [PTZ channel] Hybrid (IR and White Light)
Supplement Light Range	[Bullet channel]: up to 30 m, [PTZ channel]: up to 30 m
Smart Supplement Light	Yes
PTZ	
Movement Range (Pan)	[Panoramic channel] 0° to 355°, [PTZ channel] 0° to 345°
Movement Range (Tilt)	[Bullet channel] 7° to 17° (manually adjust), [PTZ channel] 0° to 80°
Pan Speed	Pan speed: configurable from 4° to 25°/s, preset speed: 25°/s
Tilt Speed	Tilt speed: configurable from 4° to 20°/s, preset speed 20°/s
Presets	300
Power-off Memory	Yes
Video	
Scalable Video Coding (SVC)	Yes
Region of Interest (ROI)	1 fixed region for main stream
Main Stream	[Bullet channel] 50 Hz: 25 fps (2560 × 1440, 1920 × 1080, 1280 × 720) 60 Hz: 30 fps (2560 × 1440, 1920 × 1080, 1280 × 720) [PTZ channel] 50 Hz: 25 fps (2560 × 1440, 1920 × 1080, 1280 × 720) 60 Hz: 30 fps (2560 × 1440, 1920 × 1080, 1280 × 720)

Sub-Stream	[Bullet channel] 50 Hz: 25 fps (640 × 480, 640 × 360) 60 Hz: 30 fps (640 × 480, 640 × 360) [PTZ channel] 50 Hz: 25 fps (640 × 480, 640 × 360) 60 Hz: 30 fps (640 × 480, 640 × 360)
Video Compression	Main stream: H.265/H.264/Smart264/Smart265, Sub-stream: H.265/H.264/MJPEG
Video Bit Rate	32 Kbps to 4 Mbps
H.264 Type	Baseline profile, Main profile, High profile
H.265 Type	Main profile
Audio	
Audio Compression	G.711/G.722.1/G.726/MP2L2/PCM/MP3/AAC-LC
Audio Bit Rate	64 Kbps(G.711ulaw/G.711alaw)/16 Kbps(G.722.1)/16 Kbps(G.726)/32 to 160 Kbps(MP2L2)/16 to 64Kbps(AAC-LC)/8 to 160 Kbps(MP3)/8 to 48 Kbps(PCM)
Audio Sampling Rate	8 kHz/16 kHz
Environment Noise Filtering	Yes
Network	
Protocols	TCP/IP, SMTP, RTSP, FTP, WebSockets, IGMP, WebSocket, Qos, RTCP, HTTPS, PPPoE, SNMP, NTP, RTP, UDP, DNS, HTTP, DHCP, Bonjour, 802.1x, IPv4, IPv6, DDNS, ICMP, UPnP
API	ONVIF (Profile S, Profile G, Profile T), ISAPI, SDK, ISUP
Security	Authenticated username and password, MAC address binding, HTTPS encryption, 802.1X authenticated access, IP address filter
Simultaneous Live View	Up to 6 channels
User/Host	Up to 32 users. 3 user levels: administrator, operator, and user
Client	iVMS-4200, Hik-Connect, Hik Partner Pro
Web Browser	Chrome 31 to 44, Firefox 30 to 51, Safari 8.0+
Image	
Image Settings	Saturation, brightness, contrast, sharpness
Wide Dynamic Range (WDR)	Digital WDR
SNR	≥ 52 dB
Day/Night Switch	Day, night, auto, schedule
Image Enhancement	BLC, HLC, 3D DNR
Privacy Mask	[Bullet channel] 4 programmable polygon privacy masks, [PTZ channel] 4 programmable polygon privacy masks
Image Parameters Switch	Yes
Interface	
Built-in Microphone	1 built-in microphone
Built-in Speaker	1 built-in speaker
Ethernet Interface	1 RJ45 10 M/100M self-adaptive Ethernet port
On-board Storage	Built-in memory card slot, support microSD/microSDHC/microSDXC card, up to 512 GB
Reset	Yes
Event	
Basic Event	Motion detection (support alarm triggering by specified target types (human and vehicle)), exception

Linkage	Upload to FTP/NAS/memory card, notify surveillance center, send email, trigger recording, audible warning
General	
Material	PC
General Function	Mirror, password protection, watermark, IP address filter
Power	12 VDC \pm 25%, 1.5 A, max. 18 W, \varnothing 5.5 mm coaxial power plug, reverse polarity protection, PoE: IEEE 802.3at, Class 4, max. 21.5 W
Operating Condition	-30 °C to 50 °C (-22 °F to 122 °F). Humidity 95% or less (non-condensing)
Dimension	134 mm \times 213.5 mm \times 291.7 mm (5.3" \times 8.4" \times 11.5")
Weight	Weight: 1000 g (2.2 lb.) With Package Weight: 1500 g (3.3 lb.)
Approval	
Protection	IP66 Standard, Surge Protection and Voltage Transient Protection

▪ Typical Application

Hikvision products are classified into three levels according to their anti-corrosion performance. Refer to the following description to choose for your using environment.

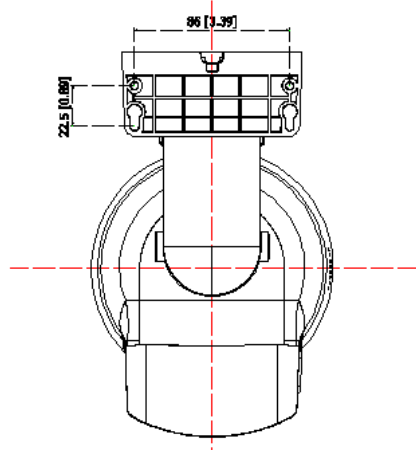
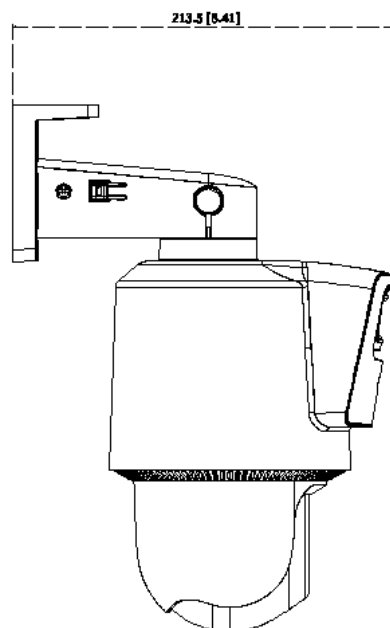
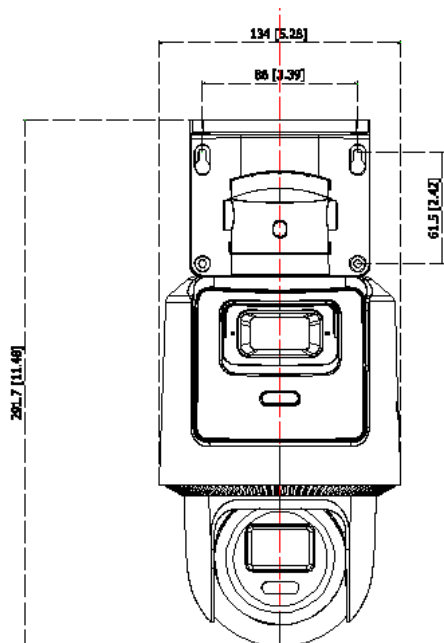
This model has NO SPECIFIC PROTECTION.

Level	Description
Top-level protection	Hikvision products at this level are equipped for use in areas where professional anti-corrosion protection is a must. Typical application scenarios include coastlines, docks, chemical plants, and more.
Moderate protection	Hikvision products at this level are equipped for use in areas with moderate anti-corrosion demands. Typical application scenarios include coastal areas about 2 kilometers (1.24 miles) away from coastlines, as well as areas affected by acid rain.
No specific protection	Hikvision products at this level are equipped for use in areas where no specific anti-corrosion protection is needed.

▪ Available Model

DS-2SE2C400MWG-E/14(2.8/8mm)

▪ Dimension



SPEC
Unit: mm (inch)

See Far, Go Further



www.hikvision.com
support@hikvision.com

