

## ABLOY® PE560

### High security DIN standard handle controlled lock for wooden and metal doors



#### Product description

High security lock PE560 is used especially in situations where the advantages of handle-controlled unlocking must be combined with the mechanical security requirements. The integrated monitoring contacts from the lock can be connected to the different systems. When door closes, dead bolt is thrown out automatically, double action latch is blocked, and the lock case is secured in two points. The dead bolt has a button on the end of the dead bolt, which makes it suitable for double doors. The exit side settings and selecting between fail-locked and fail-unlocked can be performed on the lock as required. PE560 has split spindle function. Outside handle is engaged electrically, e.g. by electric access control. By pressing engaged handle, dead bolt is retracted, and double action latch released. Inside handle opens lock mechanically (exit function), no need for electric control. PE560 is the part of double leaf EXIT system and it is used on active door. Double leaf Exit system; egress must be able to make freely make regardless of door; either via active or inactive door. Double leaf Exit configuration needs specific locks to be mounted on the inactive door.

#### Overview of Advantages

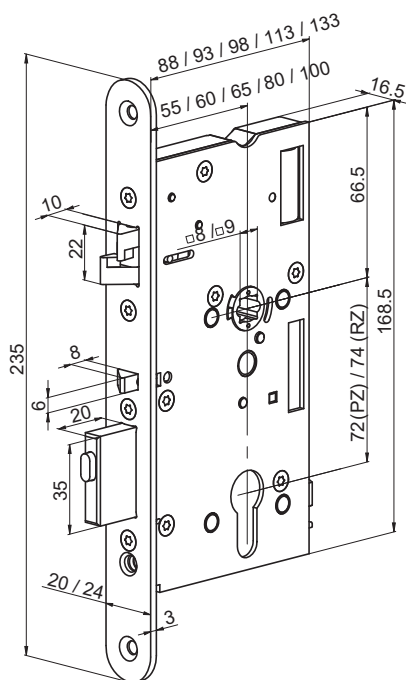
- Mechanical automatic locking system
- Non handed, left / right
- Exit side can be changed over \*
- Can be changed between fail-unlocked & fail-locked
- Burglary-resistant due to dead bolt with 20 mm throw
- Exit function by inside handle \*
- Suitable for fire doors
- Controllable outside handle \*
- Mechanical override with cylinder
- Monitoring functions
  - Door status
  - Handle down
  - Bolt deadlocked
  - Bolt in
  - Key cylinder used
  - Sabotage loop

#### Scope of delivery

- 1 pcs lock case
- Operating manual
- 1 pc accessory set (fixing screws and spindle adapters 9/8)

#### Ordered separately

- Strike plate (e. g. EA324)
- Cable EA218 (6m) / EA219 (10m)
- Lead cover EA280/281
- Handle set (e. g. EH006/042) and spindle
- Split spindle EA288/289 with EL560/562
- Cylinder(s) (e. g. CY321T)



#### Technical data

Handing	Left/right
Exit function	Yes
Mechanical cylinder override	Yes
Latch	Double action latch
Dead bolt	Yes, 20 mm
Input operation voltage	12 - 24 VDC
Rated current consumption	12 V DC Idle 240 mA, Max. 550 mA // 24 V DC Idle 130 mA, Max. 300 mA
Microswitch capacity (monitoring contacts)	Max. 0,5 A 30 V AC / DC resist 10 W
Suitable for fire doors	Yes
EN 179:2008	376B1342AA
EN 1125:2008	376B1321AA
EN 14846:2008	3S5F-L611