



FMS Gateway

GT1 Pro

Specification (Version 1.0)



Catalog

Preface	2
<i>Product Name Explanation</i>	3
<i>Symbol Explanation</i>	3
Product Overview	4
<i>Product Introduction</i>	4
<i>Product Features</i>	4
Specification	5
Product Appearance and Component Names	8
Product Dimension Diagram	9
System Connection Diagram	10
Cable Details	10
Special Instructions	11

Preface

About the Specification

The Specifications provide details on the components and parameters of the GT1 Pro. All content, including text, images, and graphics, is owned by Shenzhen Streamax Technology Co., Ltd. No part of this document may be reproduced, extracted, or modified without prior written consent from the company. The Specifications are provided without any warranties unless otherwise stated.

This document is intended for authorized users and technical support personnel. The product images and screen content are for reference only, and the actual product (including appearance, color, size) may vary. Please refer to the physical product for accurate details. The data in this document are theoretical values based on testing in Streamax Technology's internal lab. Actual performance may vary due to factors like product differences, software versions, usage conditions, and environment.

Streamax may update or adjust the Specifications from time to time to reflect changes in the product's performance, features, or components, without prior notice.

Trademark Notice

Streamax is a registered trademark of Shenzhen Streamax Technology Co., Ltd. All other trademarks are the property of their respective owners.

Responsibility Disclaimer

The products described in this document are provided "as is" with no warranties, express or implied, including but not limited to merchantability or fitness for a particular purpose.

Streamax is not liable for any damages, including loss of profits, data, or documentation, resulting from the use of the product or Specifications.

Streamax is not responsible for security risks such as cyber-attacks, hacking, or virus infections when the product is connected to the internet. However, we will provide technical support as needed.

You agree to comply with all applicable laws when using this product. Streamax is not liable for any misuse of the product or any violation of third-party rights.

In case of conflict between the Specifications and applicable laws, the laws will take precedence.




Copyright © 2025 Shenzhen Streamax Technology Co., Ltd. All rights reserved.

Product Name Explanation

GT1 Pro is an FMS Gateway with built-in cellular module, can connect to Driver App and Fleet Management Platform to improve fleet efficiency, with the live GPS tracking and remote diagnostics, it can help fleet manager truly captures real-time vehicle safety.

Symbol Explanation

The following symbols are used to categorize and explain potential hazards that may arise from improper operation

Symbol	Explanation
	Warning: Conditions that could jeopardize the safety of the user or cause injury
	Important: Conditions that may lead to data corruption or damage to the device's firmware or hardware
	Note: Additional information, explanations of terms, and other relevant details

Product Overview

Product Introduction



GT1 Pro is an FMS Gateway which can integrate with DC Max to achieve the AI Video Telematics. Benefits by powerful expansion capability, GT1 Pro is able to face the scenario around Trucking industry, and also can uploads event data to the fleet management platform for driver training purposes. Additionally, it transmits real-time vehicle location and operational data to the platform. Seamless compatibility with a variety of wired/wireless peripheral accessories: Fuel sensor/Door sensor/Temperature and humidity/RFID reader.


Product Features

- Supports external connection of 4 IPC channels.
- Built-in Wi-Fi, Bluetooth, 4G Cellular module, and inertial navigation module.
- Supports 3 channels of IO input, 1 channel of IO output, and 2 channels of RS232, 1 channel of RS485, 1 channel of I-Button.
- Supports OBD power supply, convenient and quick installation, support 2 channels of CAN, 1 channel of J1850, 1 channel of J1708, 1 channel of K-Line, 1 channel of L-Line.
- Supports sleep mode and remote wake-up. Support expand Backup Power for sending disconnection alerts when vehicle power disconnected, and by using Backup Power in low power mode support continuous operation for several hours.
- Built-in 6-axis gravity sensor, supports detection of rapid acceleration, rapid deceleration, sharp turns, and collisions

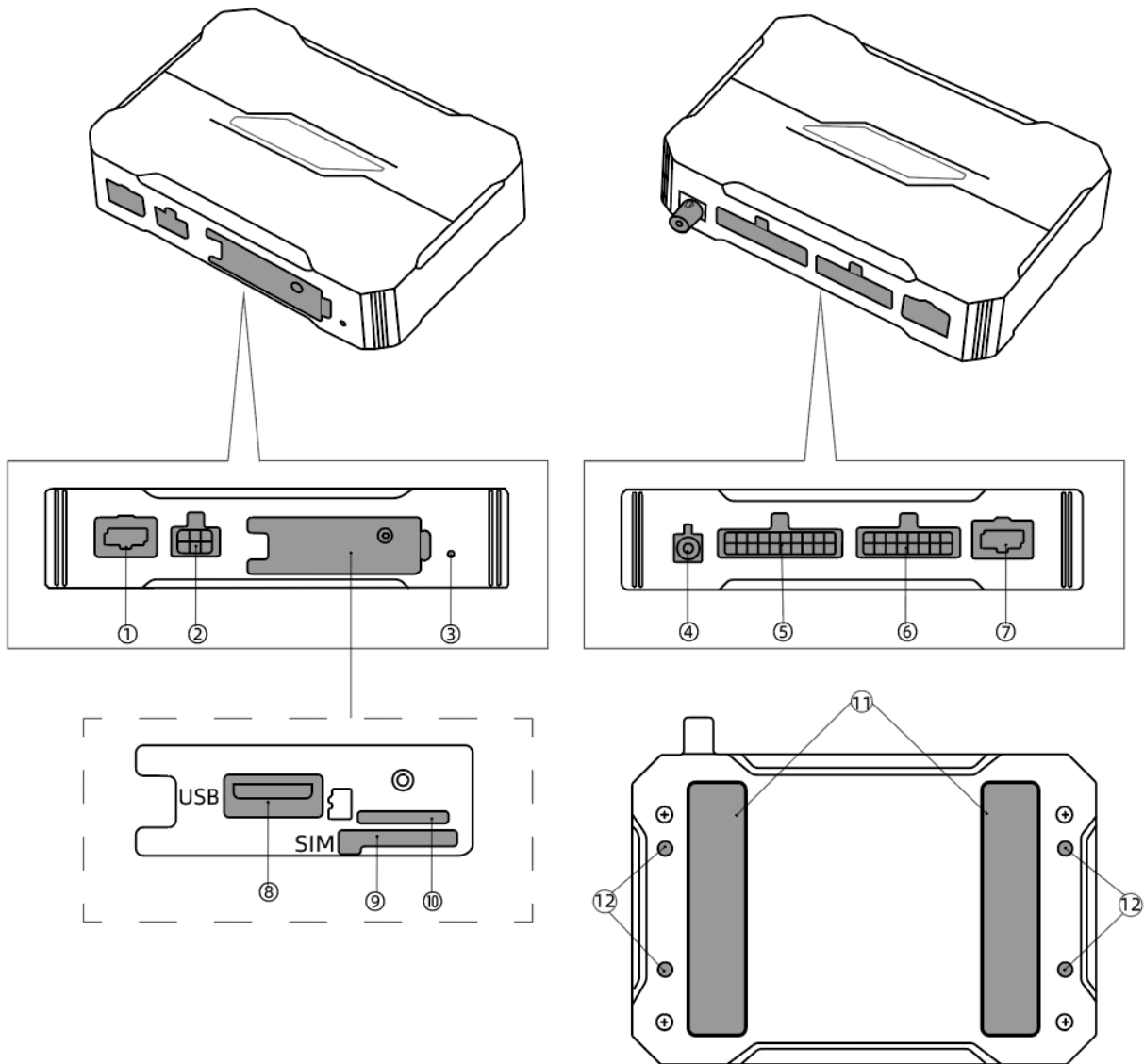
Specification

General		
Product Model	GT1 Pro	
System	Embedded Linux	
Language	<ul style="list-style-type: none"> ● Default: English ● Options: Chinese, Chinese (Traditional), English, Spanish, Spanish (Latin American), Portuguese (Latin American), French, Russian and Japanese * The language does not support Audio like TTS or MP3.	
LED Indicator Status		
Indicator Light	Off	On/Flashing
State Indicator	No power supply	<ul style="list-style-type: none"> ● Self-check (GNSS& Platform) ● Normal operation ○ (Flashing) Alarm triggered
Sensor		
Six-axis Sensor	Harsh acceleration, Harsh deceleration, Harsh cornering, and accident detection	
Port		
RS232	2-channel	
RS485	1-channel	
I/O Port	3-channel input, 1-channel output (support 12V@1.5A output)	
CAN	2-channel CAN, 1-channel J1708, 1-channel J850, 1-channel K-Line/L-Line	
I-Button	1-channel	
USB	1-channel Type-A	
Storage		
Mirco SD Card	Micro SD card × 1 (SDXC 64GB/128GB/256GB) Read/write rate: Class 10 or above is recommended	
Network		
Wi-Fi	Support 2.4G (IEEE Std. 802.11b/ IEEE Std. 802.11g/ IEEE Std. 802.11n/ IEEE Std. 802.11ax)	

Bluetooth	Support Bluetooth 2.1+EDR/3.0/4.x/5.2
4G	<p>Plug-in SIM card (Nano SIM card), reserved eSIM patch position, can support pre-burn-in eSIM.</p> <ul style="list-style-type: none"> ● For Global: LTE-FDD: B1/ 2/ 3/ 4/ 5/ 7/ 8/ 12/ 13/ 18/ 19/ 20/ 25/ 26/ 28 LTE-TDD: B38/ 39/ 40/ 41 UMTS: B1/ 2/ 4/ 5/ 6/ 8/ 19 GSM: B2/ 3/ 5/ 8 <p> An industrial SIM card (MP2) is required. The use of a standard SIM card (MP1) is prohibited. We are not responsible for any issues caused by the use of a standard SIM card</p>
Positioning	
GNSS	Supported GPS/QZSS L1 C/A GALILEO E1(E1B+E1C) GLONASS L1OF BEIDOU: B1I SBAS: WAAS, EGNOS, MSAS, GAGAN
Power related	
Power supply	12V and 24V vehicles (self-adaptive)
Power consumption	<ul style="list-style-type: none"> ● In Standby mode:13.5V@4mA, 27V@2mA ● In sleep mode (4G and MCU are powered): 13.5V@77mA, 27V@47mA ● Typical power consumption (SIM card for dialing, Wi-Fi turned on): 13.5V@185mA, 27V@100mA
	Notes: The above data are test data obtained in a specific environment in the laboratory, and may vary with the individual product differences, service environment, and testing methods.
Environment	
Operating Temperature	-40°C ~ +70°C (-40°F ~ +158°F)
Storage Temperature	-40°C ~ +85°C (-40°F ~ +185°F)
Operating Humidity	15~95% non-condensing
Storage Humidity	15~95% non-condensing

Dimensions and Weight	
Dimensions L×W×H	Gateway: 125.3 mm×84.2 mm×28 mm; Deviation: ±2 mm Package: 222 mm×180 mm×35 mm; Deviation: ±2 mm
Weight	Net weight (device only): 280g Gross weight (including accessories and package): 770g Deviation: ±10g
	Actual dimensions and weight may vary slightly due to product differences, manufacturing processes, and testing methods.
Package Contents	
GT1 PRO ×1, standard power cable ×1, hex wrench ×1, desiccant ×1, alcohol wipe ×1, Zip ties ×3 * Contents may vary depending on the region and specific requirements	

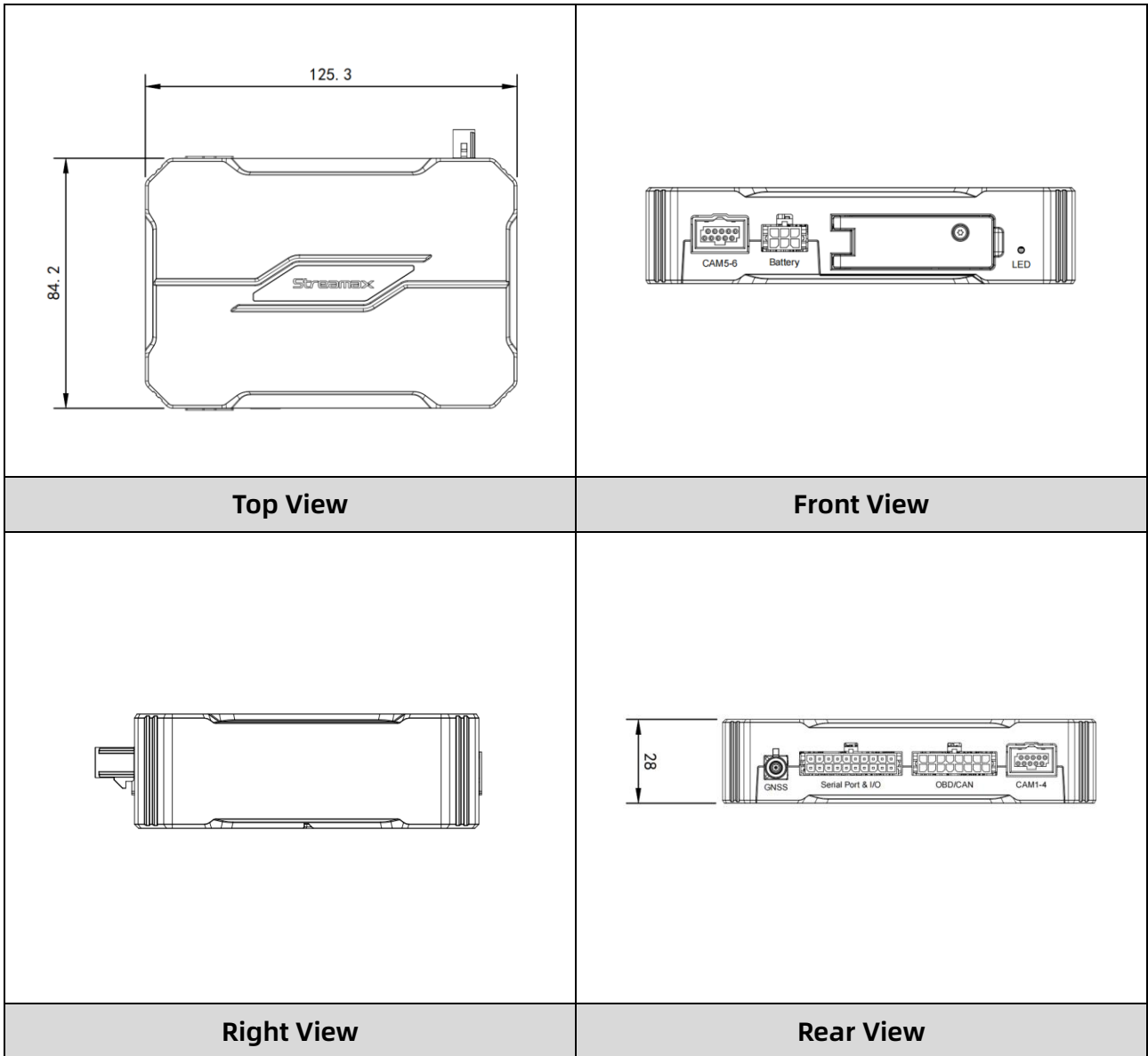
Product Appearance and Component Names



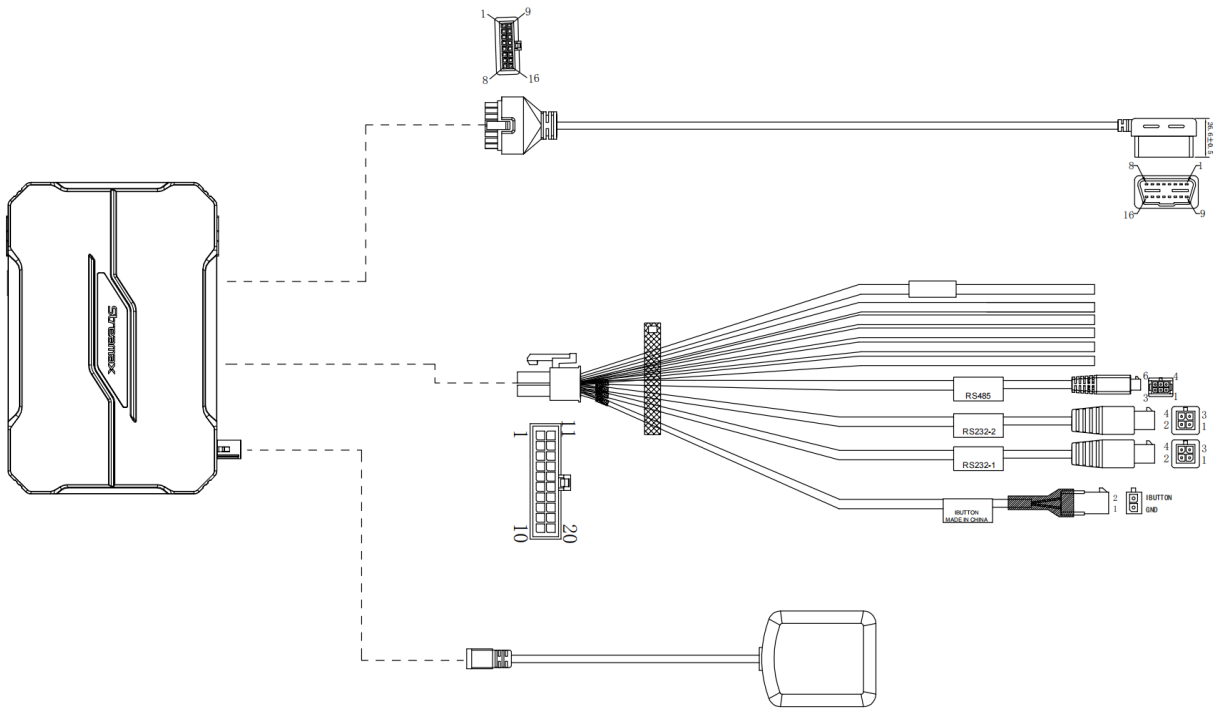
NO.	Components	NO.	Components
1	Video Expansion Port CAM 1-4	7	Video Expansion Port CAM 5-6
2	Backup Battery Expansion Port	8	USB Type-A Port
3	Indicator Light	9	SIM Card Slot
4	External GNSS Antenna Interface	10	Micro SD Card Slot
5	Serial & I/O Port	11	Velcro
6	Power Supply & OBD/CAN Port	12	Expansion Mounting Bracket Holes

Product Dimension Diagram

(Unit: mm)



System Connection Diagram



Cable Details

450 ± 20

30 ± 10

GT1 ProOBD
MADE IN CHINA

26.6 ± 0.5

1 9
8 16

1 9
8 16

1 9
8 16

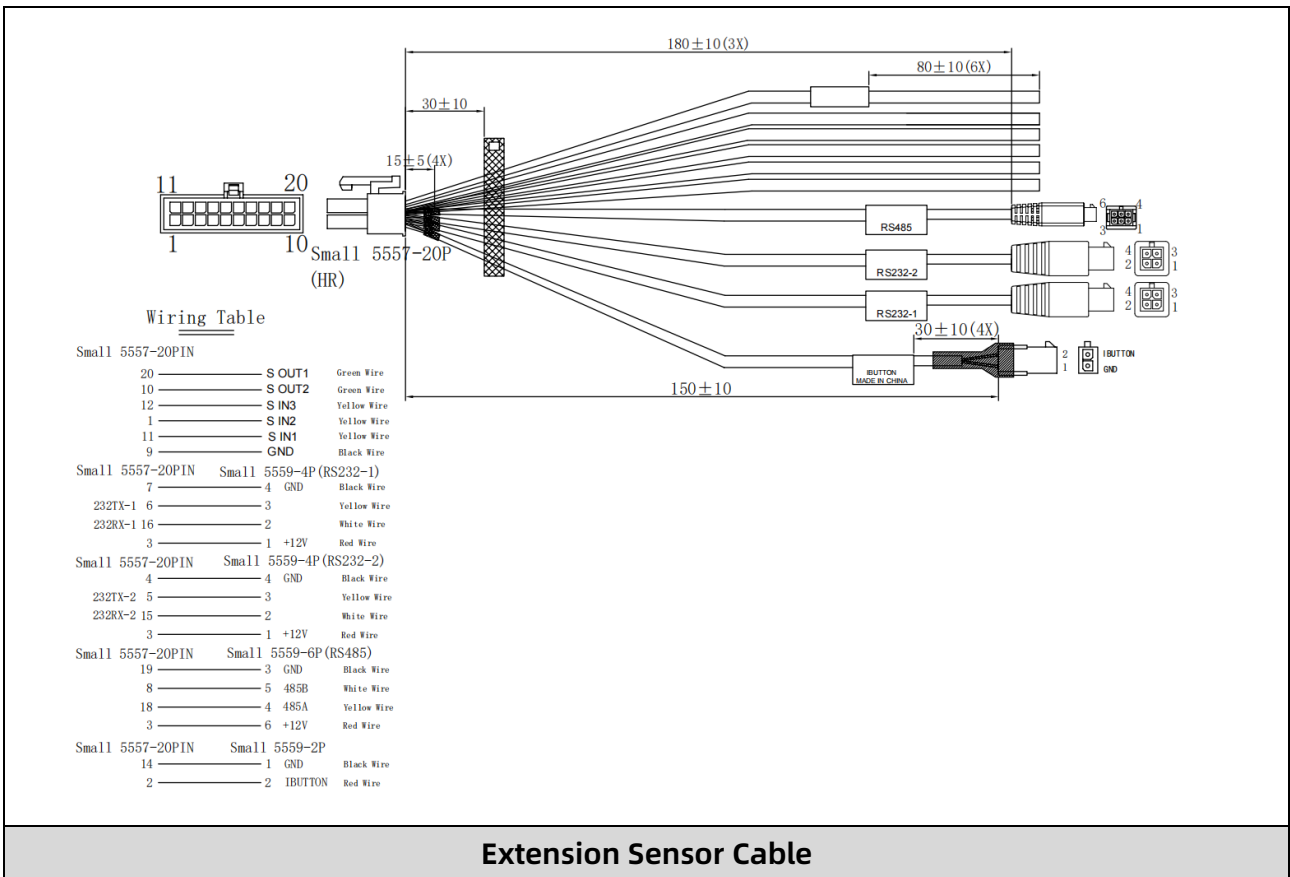
Wiring Table

Small 5557-16P 16P OBDII Male Plug

J1850 Orange Wire	1	2
CAN1-H Yellow Wire	2	3
CAN0-H Blue Wire	3	6
L-LINE Green Wire	4	15
J1708总线 Brown Wire	5	12
J1850总线 Orange-White	9	10
CAN1-L White Wire	10	11
CAN0-L Blue Wire	11	14
J1708总线 Brown-White	12	13
K-LINE Green-White	13	7
12V Red Wire	6+15	16 20AWG
GND Black Wire	8+16	4 20AWG
GND Black Wire	7	5

7A Self-resetting Fuse

16PIN OBD Power Cable



Extension Sensor Cable

Special Instructions

- This product requires installation by professionals; otherwise, there is a risk of electric shock, damage to the vehicle wiring, impact on AI performance, and device detachment.
- When used under direct sunlight, the surface temperature of this product may exceed 60°C. Please avoid touching the sun-exposed surface to prevent burns.