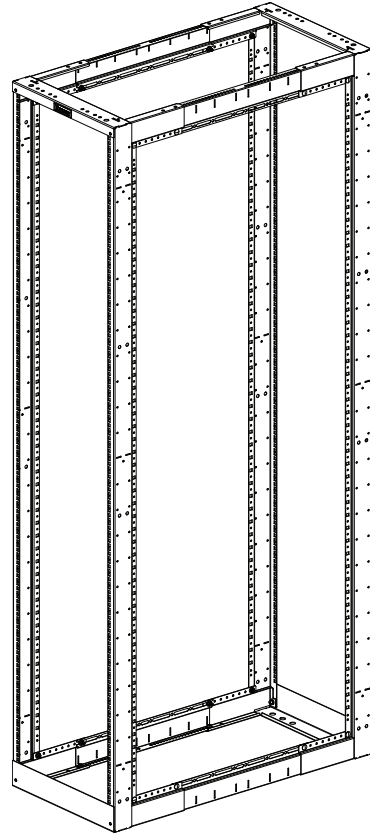


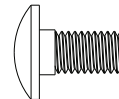
RACK ADJUSTED TO
MINIMUM DEPTH OF 23"



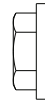
RACK ADJUSTED TO
MAXIMUM DEPTH OF 42"

Required hardware - included

(16) M8-16mm CARRIAGE BOLT



(32) M8 FLANGE NUT



Required tools - not included

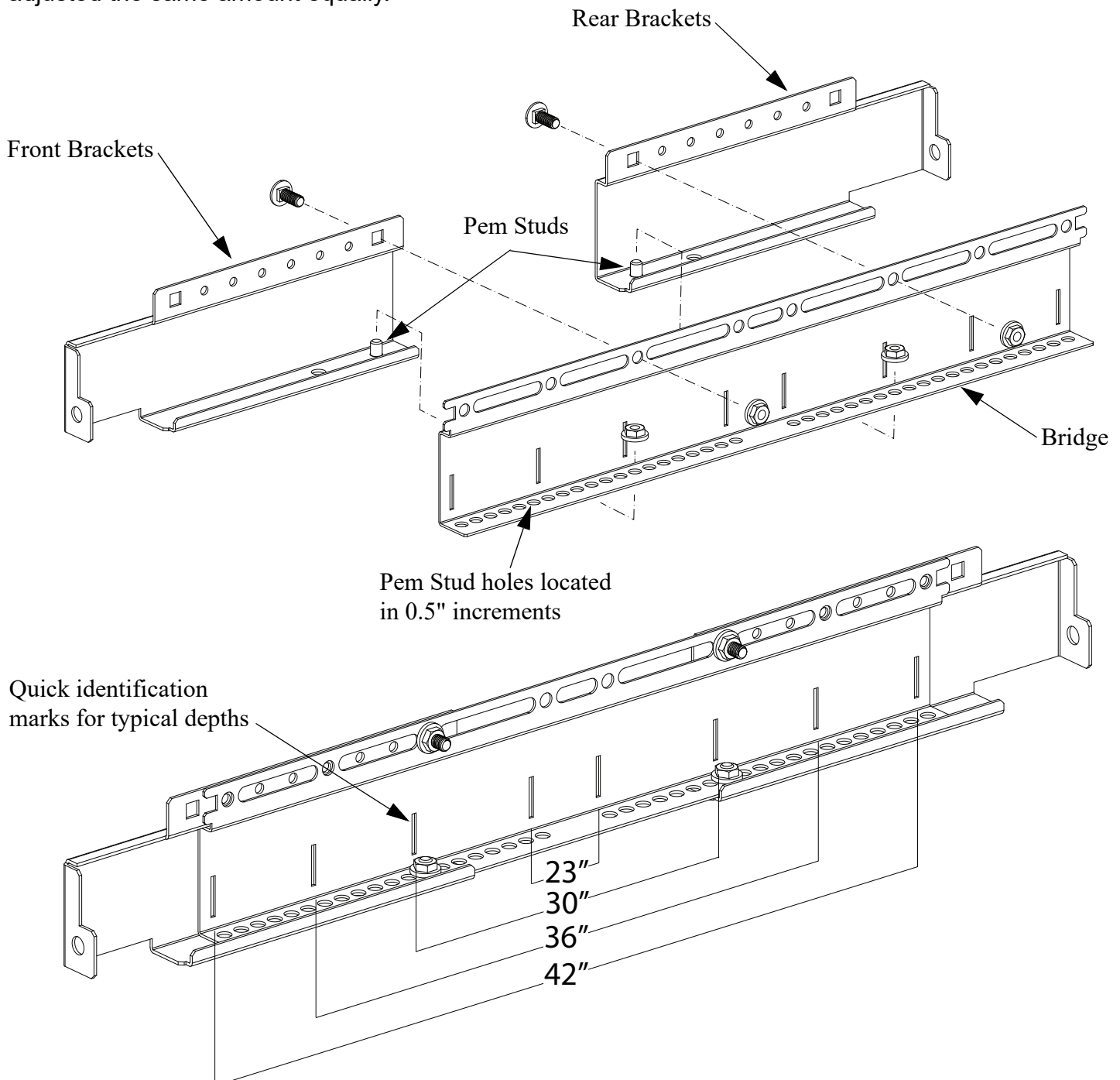
RATCHET W/
M13 SOCKET



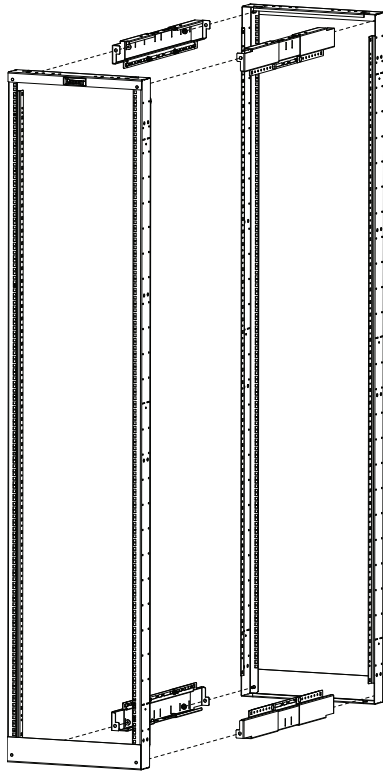
RACK DEPTH ADJUSTMENT

Rack depth is adjustable in 1/2" increments, from 23" to 42" depth by moving each PEM stud location by 1/2". For quick settings use the provided vertical slots as an aid. Align the PEM stud with the desired depth mark slot. 23", 30", 36" and 42" markings provided. Secure the bridge to the front and rear brackets with M8 serrated flange hex nuts.

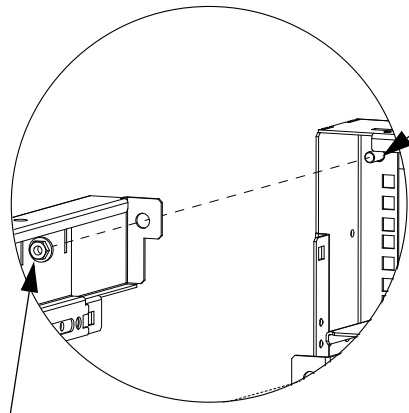
Note: If adjusting the depth by more than 0.5", the front and rear brackets should be adjusted the same amount equally.



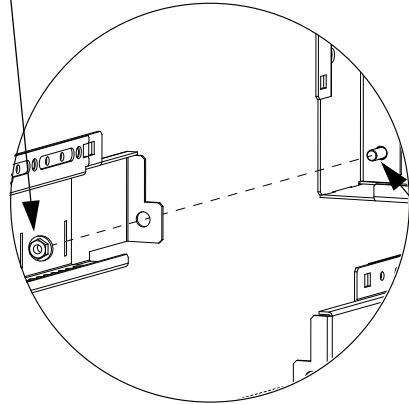
FRAME ASSEMBLY



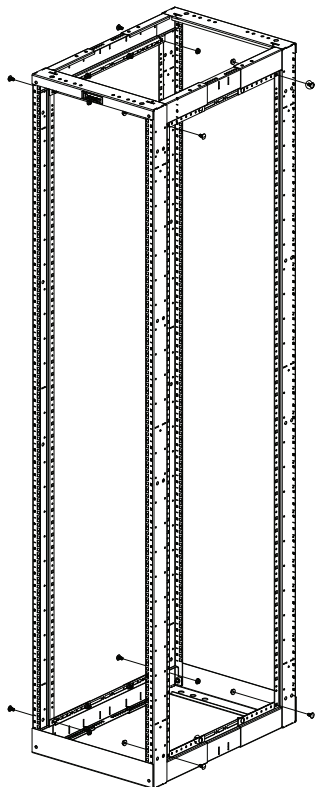
M8 FLANGE NUT



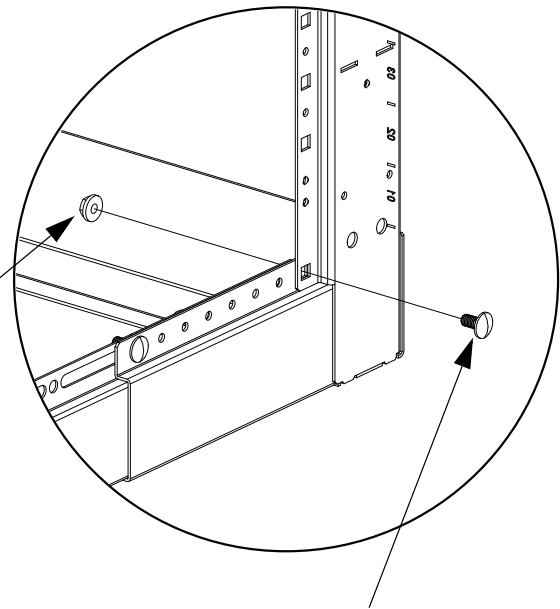
**M8 PEM
STUD**



**M8 PEM
STUD**



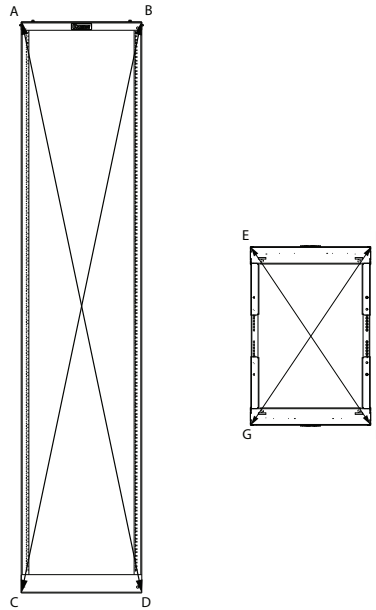
M8 FLANGE NUT



M8-16mm CARRIAGE BOLT

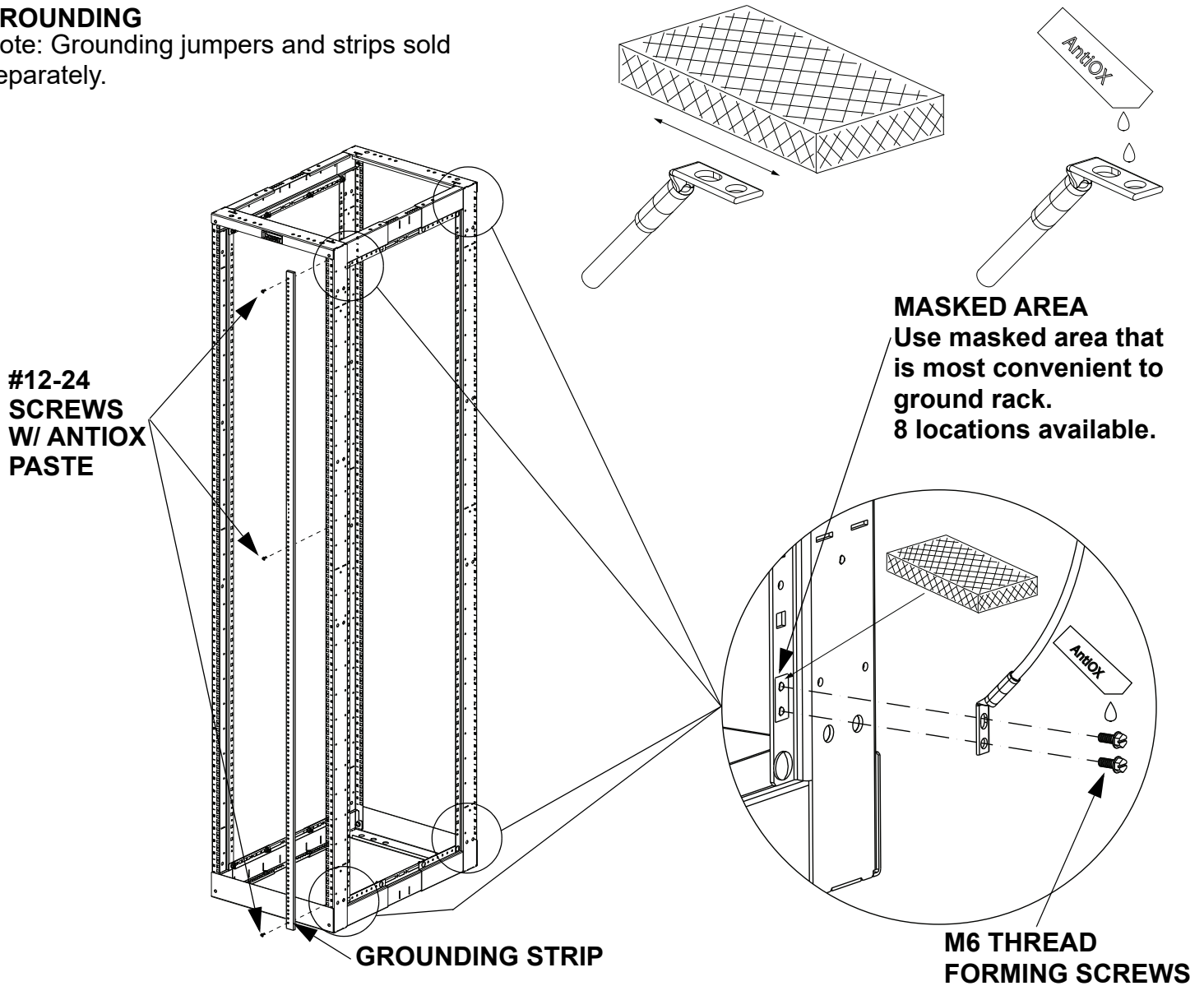
SQUARING THE RACK

Square the rack vertically by measuring the distance from A to D, and B to C shown right. The difference in distance from A to D, and B to C should be no greater than 1/8". Square the rack horizontally by measuring the distance from E to H, and F to G shown right. The difference in distance from E to H, and F to G should be no greater than 1/8". **Completely tighten all nuts to at least 14 ft-lbs (19.0 N-m)**



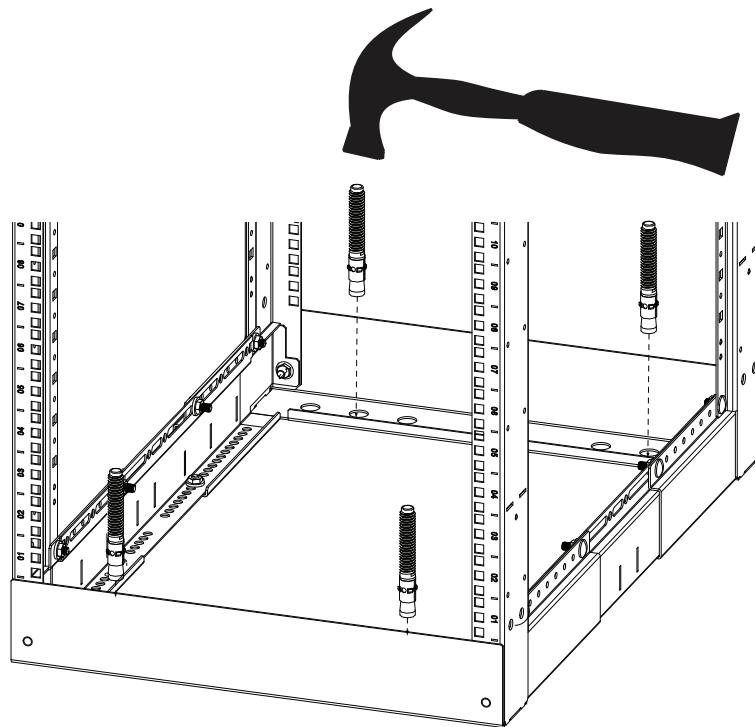
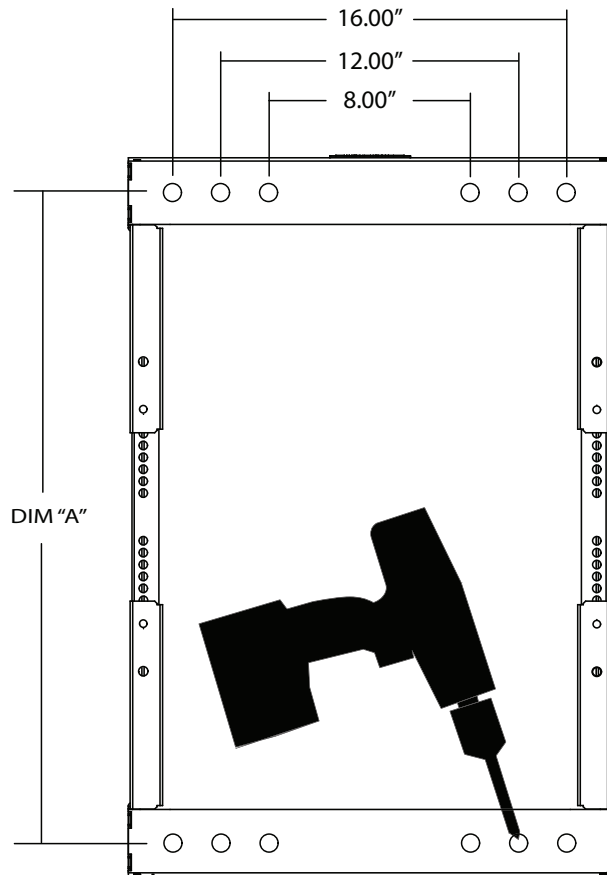
GROUNDING

Note: Grounding jumpers and strips sold separately.



Securing Rack to Floor

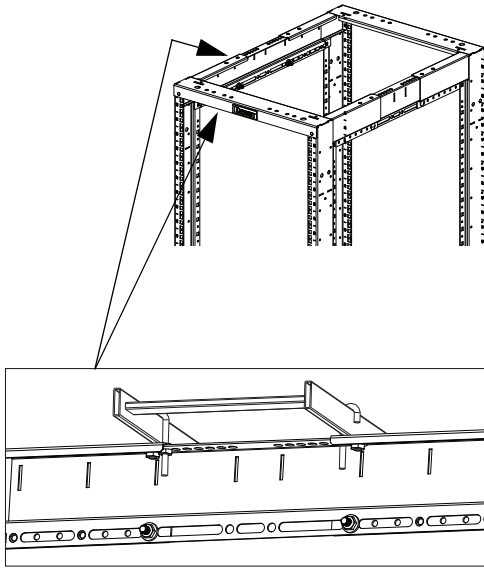
| DEPTH | DIM "A" |
|-------|-----------------|
| 23" | 20.2" [513.1mm] |
| 30" | 27.2" [690.9mm] |
| 36" | 33.2" [843.3mm] |
| 42" | 39.2" [995.7mm] |



Concrete floor = RFAKIT - Sold Separately
Raised floor = RFA3KIT - Sold Separately

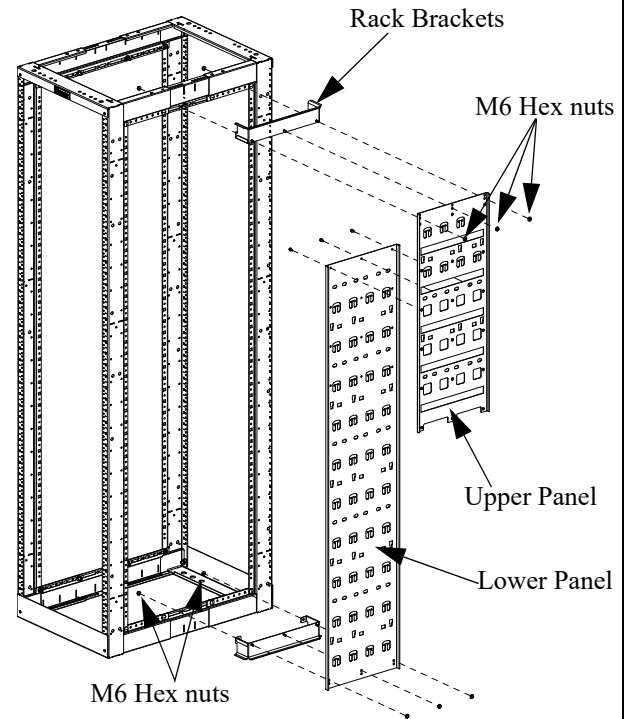
For Technical Support: www.panduit.com

Use J-Bolt mounting holes for securing ladder rack to the 4-post rack.



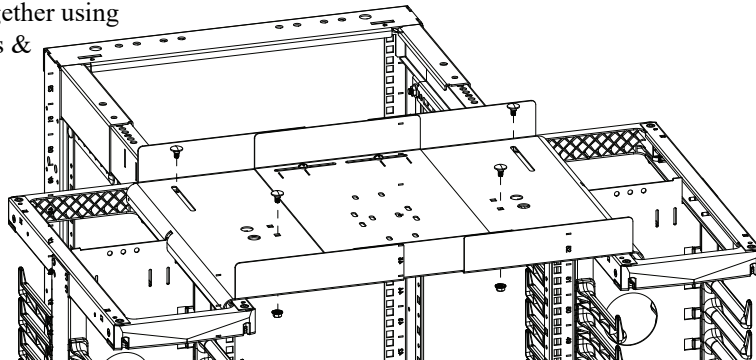
V4PTOB

1. Attach Rack Bracket to rack using (4) M6 hex nuts.
2. Attach upper panel to lower panel at needed Rack height using supplied screws.
3. Secure assembled panels to the Rack Brackets using (6) M6 hex nuts.



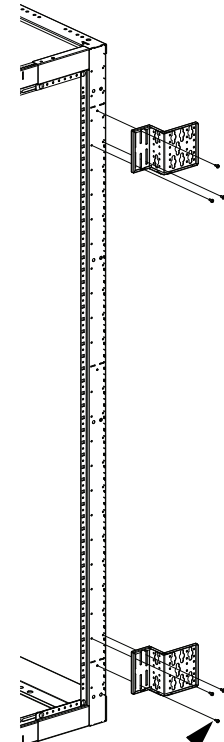
PR2VWF/PE2VWF

1. Align waterfall slots around the backbone part of the manager as shown.
2. Align holes in waterfall with holes in rack.
3. Fasten components together using (4) M6 x 12mm screws & (4) M6 serrated nuts.



CVPDUB

PDU Bracket to mount PDU vertically on the rack.

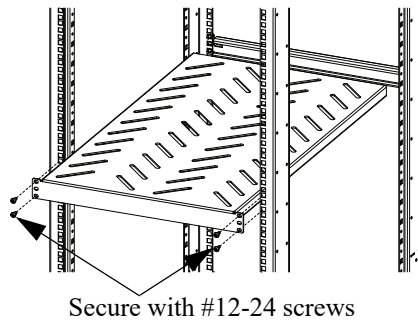
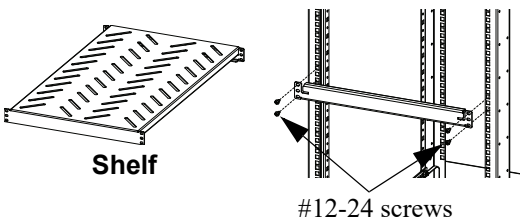


- RSHLF**- Shelf for 30" Deep rack
- RSHLF23**- Shelf for 23" Deep rack
- RSHLF36**- Shelf for 36" Deep rack

Slide shelf into slots in rear mounting bracket

Note: Shelf load rating is 275 lbs. when rails are spaced a minimum of half the shelf depth.

Mount bracket to desired RU in rear of rack



Note: Shelf is designed to support large networking equipment in combination with supplied equipment mounting flanges.

Secure to desired hole location using #12-24 screws.

For Instructions in Local Languages and Technical Support:
www.panduit.com

PANDUIT
www.panduit.com

E-mail: techsupport@panduit.com
Phone: 866-405-6654