

USB Type 'A' Blockout Devices

SPECIFICATIONS

The USB Type 'A' blockout devices shall work with USB 2.0 and USB 3.0 Type 'A' ports. Device shall block one USB Type 'A' port, keeping it secure and reducing the risk of viruses being loaded and unauthorized data being removed through the USB port. They shall be utilized in any data application, especially with computers, switches, and other hardware that use USB Type 'A' adapters.



TECHNICAL INFORMATION

Material removable device:	Polycarbonate and Stainless Steel (302)
Temperature range:	-30°F to 200°F (-35°C to 93°C)
RoHS compliant:	Compliant
Halogen free:	Yes

KEY FEATURES AND BENEFITS

Tamper-resistant:	Blockout devices block unauthorized access to USB Type 'A' ports, to provide additional security from viruses being loaded and data being removed through the USB port
Compliant with USB 2.0 & USB 3.0:	Device fits USB 2.0 and USB 3.0 Type 'A' ports
Compact, low profile design:	Can be installed without interfering with adjacent USB ports
Removal tool:	PSL-USBA device may only be released with the special removal tool, ensuring the safety and security of your network infrastructure

APPLICATIONS

The USB Type 'A' blockout devices are inserted into an USB Type 'A' port to block access to prevent damage and unauthorized access to data. These USB 2.0 and USB 3.0 compliant, tamper-resistant devices fit both types of USB Type 'A' ports and will help save time and money associated with data security breaches, network downtime, infrastructure repair and hardware replacement. Panduit USB Type 'A' blockout devices provide an economical way to block unauthorized access at a physical layer to USB Type 'A' ports in computers, switches, and other hardware devices to reduce the risk of unintentional or intentional damage.

USB Type 'A' Blockout Devices

Standard package[^]:	PSL-USBA
Bulk package[^]:	PSL-USBA-L

Mini-Com[®] USB Coupler

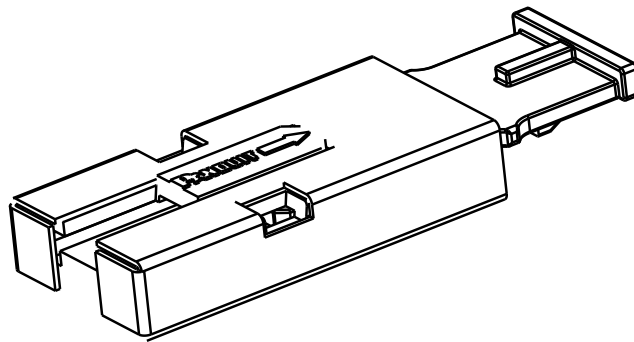
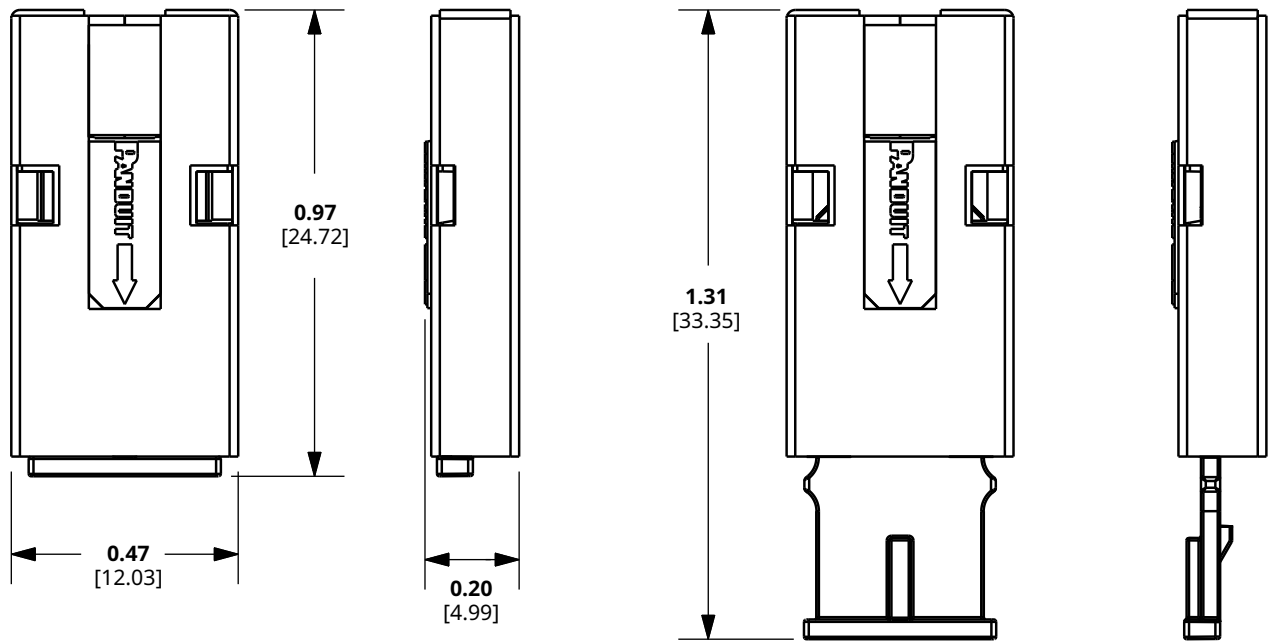
Female A to female A:	CMUSBAAIW*
------------------------------	------------

For additional Lock-In and Blockout Devices, visit www.panduit.com, or contact customer service.

[^]PSL-USBA Standard Package includes five blockout devices and one removal tool. SL-USBA-L Bulk Package includes 50 blockout devices and five removal tools. *For standard colors other than IW (Off White), replace IW in part number with EI (Electric Ivory), WH (White), IG (International Gray), or BL (Black).

USB Type 'A' Blockout Devices

ENGINEERING DRAWINGS



Dimensions are in inches. [Dimensions in brackets are metric].