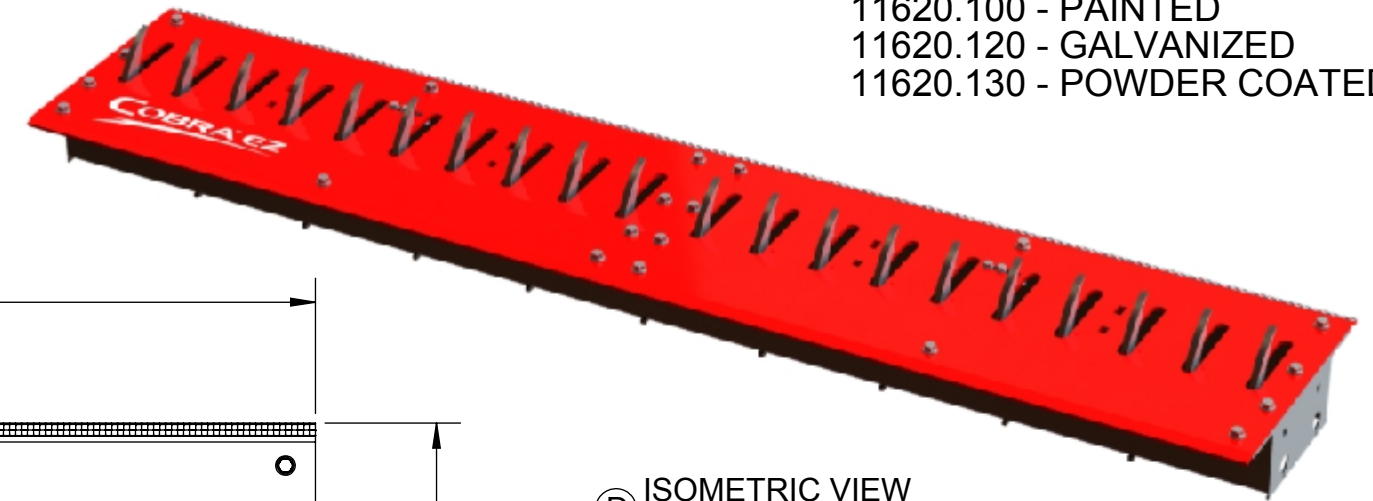
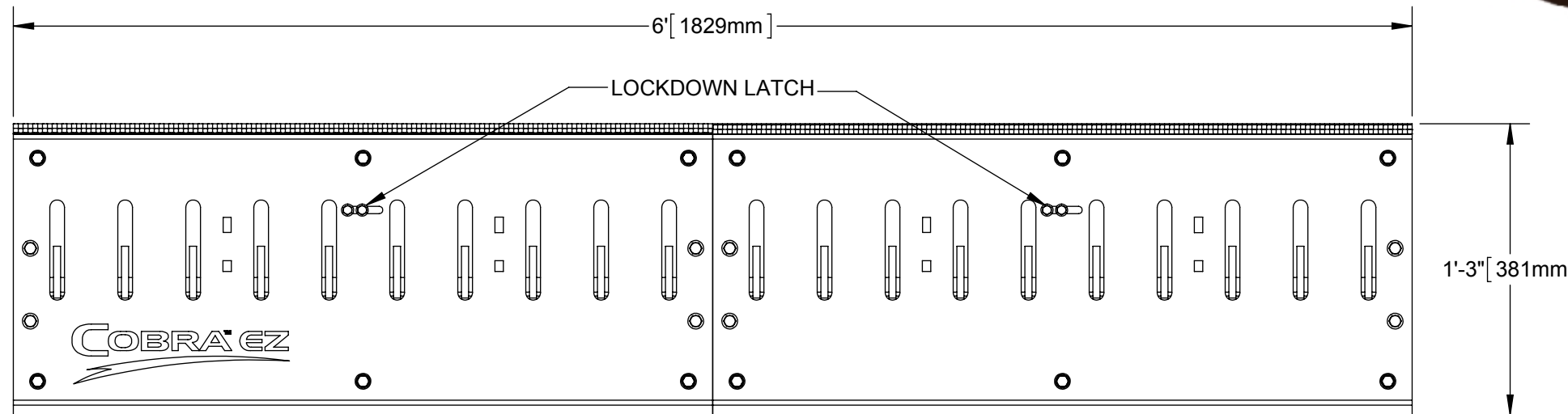


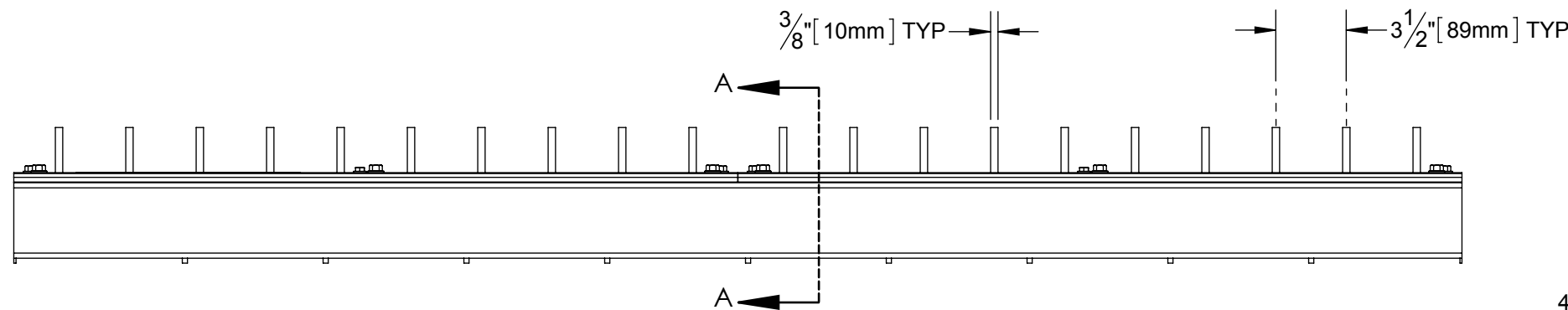
NOTES:  
 ALL STEEL CONSTRUCTION  
 PART NUMBERS:  
 11620.100 - PAINTED  
 11620.120 - GALVANIZED  
 11620.130 - POWDER COATED



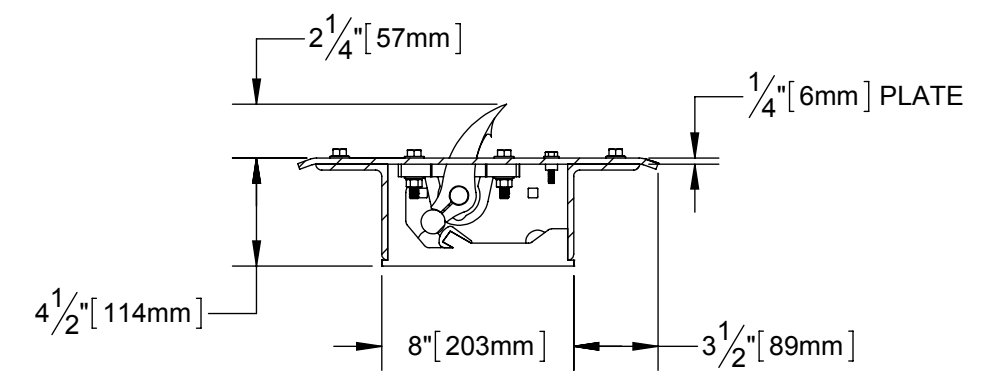
**D** ISOMETRIC VIEW  
 SCALE: NTS



**A** TOP VIEW  
 SCALE: NTS



**B** FRONT VIEW  
 SCALE: NTS



SECTION A-A

**C** SIDE VIEW  
 SCALE: NTS



4261 S. Country Club Rd., Tucson, AZ 85714-2009  
 Phone 1.520.881.3380 1.800.866.9115 (Toll Free)  
 E-mail: sales@guardiantraffic.com  
 http://www.guardiantraffic.com

COPYRIGHT © 2013 GUARDIAN TRAFFIC SYSTEMS  
 Proprietary Rights are included in all the information disclosed herein. This information is submitted in confidence and neither this document nor the information disclosed herein shall be reproduced or transferred to any other document, nor shall it be used or disclosed to any persons for manufacturing or any other reason except as specifically authorized in writing by Guardian Traffic Systems.

UNLESS OTHERWISE SPECIFIED:  
 DIMENSIONS ARE IN INCHES  
 TOLERANCES:  
 FRACTIONAL: 1/8"  
 ANGULAR: MACH ± 1° BEND ± R1/6"  
 TWO PLACE DECIMAL ± .01  
 THREE PLACE DECIMAL ± .005

MATERIAL:		SIZE		PART NUMBER		REV		DESCRIPTION	
N/A		B		11620		-		CORBA EZ 6' (1829mm) IN-GROUND TRAFFIC SPIKE SECTION	
DO NOT SCALE DRAWING	NAME	DATE	SCALE: N/A	WEIGHT: N/A	SHEET 1				
DRAWN	RLS	11/14/13							