

# MR-Q3-600CE-D(HI)

Latent Mobile Robot



## Key Feature

- Self-localization navigation: adopts inertial and 2D barcode navigation methods to achieve accurate positioning.
- Supports smooth motions like forward, backward, and rotation via dual-wheel differential drive.
- Smart power management: supports multi-level electrical threshold, auto-charge, and self-returning after charging completed.
- Multi-safety protection includes front laser obstacle avoidance, side ultrasonic obstacle avoidance, pneumatic bumper strip detection, emergency stop button, etc.
- Human-machine interaction: indicates the device status via touch screen, sound and indicators.
- Supports lifting, carrying, rotating and lowering goods up to 600 kg (1322.77 lb.).
- Wireless communication: supports Wi-Fi and seamless roaming in a network covered area.

## Typical Application

Automobile, consumer electronic, manufacturing, logistics, food, medicine, etc.

## Available Model

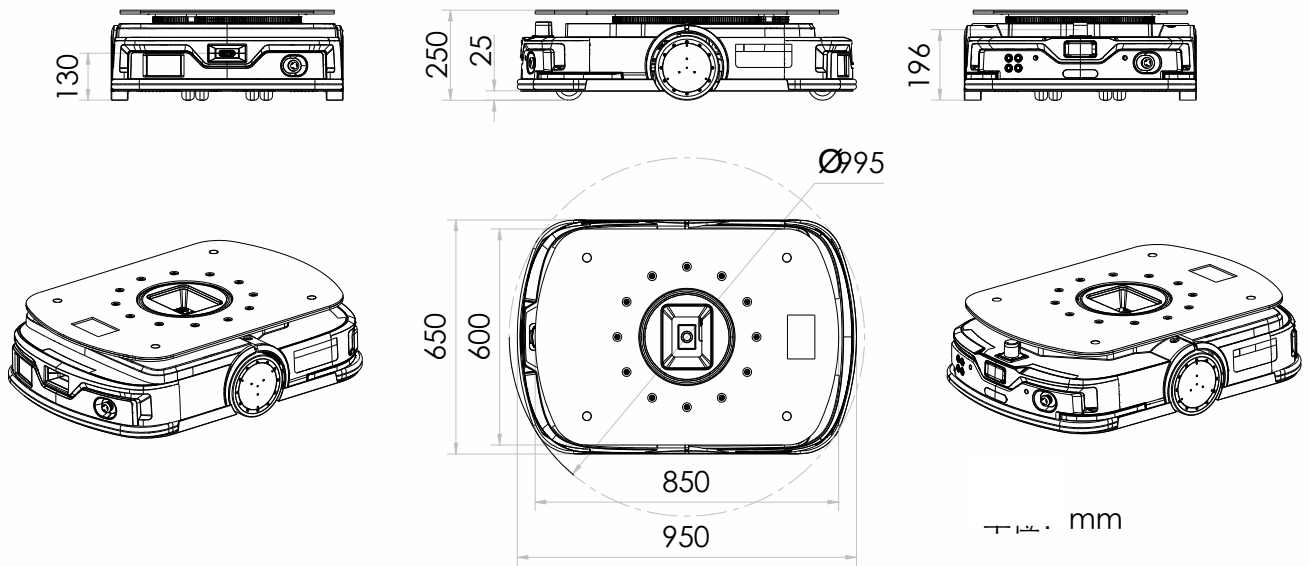
MR-Q3-600CE-D(HI)

## Accessory

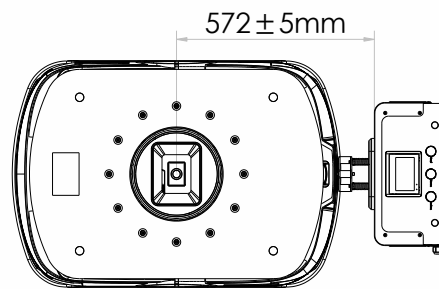
Charging station model: MR-RA-CH-48/30B-CI(CE)



## Appearance



## Charge Station Deployment



## Specification

<b>Model</b>		<b>MR-Q3-600CE-D(HI)</b>	
<b>Basic Parameter</b>			
<b>Dimension (L × W × H)</b>		950 mm × 650 mm × 250mm (37.40" × 25.59" × 9.84")	
<b>Rotation diameter</b>		995 mm (39.17")	
<b>Chassis above the ground</b>		25 mm (0.98")	
<b>Lifting tray dimension</b>		850 mm × 600 mm (33.46" × 23.62")	
<b>Lifting height</b>		60 mm (2.36")	
<b>Lifting type</b>		Electrically lifting	
<b>Weight</b>		132 kg (291.01 lb.)	
<b>Rated load</b>		600 kg (1322.77 lb.)	
<b>Navigation mode</b>		2D barcode	
<b>Human-machine interaction</b>		Touch screen	
<b>Safety Protection</b>			
<b>Front</b>	<b>Laser Obstacle Avoidance</b>	<b>Installation Height</b>	196 mm (7.72")
		<b>Scanning Angle</b>	260°
		<b>Max. Detection Range</b>	8 m (314.96")
<b>Bumper Strip Detection</b>		Supports	
<b>Emergency Stop Button</b>		Supports	
<b>Motion Performance</b>			
<b>Rated running speed (empty)</b>		2 m/s	
<b>Rated running speed (rated load)</b>		1.8 m/s	
<b>Rated acceleration (empty)</b>		1.2 m/s <sup>2</sup>	
<b>Rated acceleration (rated load)</b>		0.6 m/s <sup>2</sup>	
<b>Rotation speed (empty)</b>		200°/s	
<b>Rotation speed (rated load)</b>		100°/s	
<b>Gradeability</b>		3°	
<b>Location angle accuracy</b>		± 1°	
<b>Location accuracy</b>		± 10 mm (± 0.39")	
<b>Battery Performance</b>			
<b>Battery Type</b>		LiFePO	
<b>Rated Voltage</b>		48 V	
<b>Charge Cycle</b>		1500 times (for fully charging and discharging)	
<b>Run Time</b>		8 h	
<b>Charge Time</b>		≤ 1.5 h (for fully charging and discharging)	

**HIKROBOT**

Hangzhou Hikrobot Co., Ltd.  
en.hikrobotics.com

© Hangzhou Hikrobot Co., Ltd. All Rights Reserved.

Hangzhou Hikrobot does not tolerate any infringement. Any organization or individual may not imitate or reproduce in whole or in part of the content. The data herein is based on Hikrobot's internal evaluation. Actual data may vary depending on specific configuration and operating condition. The information herein is subject to change without notice. All the content has been checked conscientiously. Nevertheless, Hikrobot shall not be liable to damages resulting from errors, inconsistencies or omissions.