

## NP-FTG200 LoRa Fire Gateway

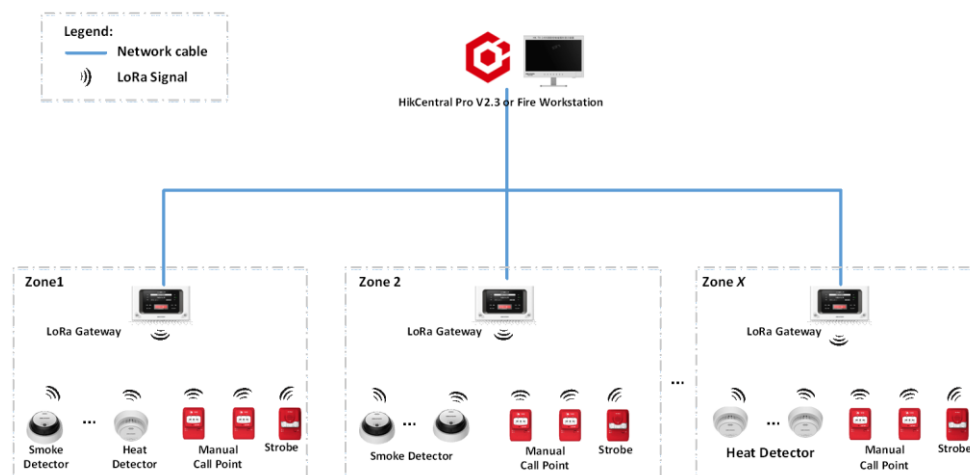
This product is suitable for fire detection and security alarm. It can match various wireless peripherals such as smoke, sound and light, and manual call point to form a protection system. Once an alarm (manual alarm) is detected, it can be immediately sent to the alarm to the platform.

It can be widely used in dormitories, public rental housing, nursing homes, Taoist temples, temples, farmers markets, high-rise buildings, factories, and small and medium-sized scenes with concentrated protection areas.



- Wireless is more powerful: peripheral communication is 1.5~2 km away, ordinary walls are 3~5 blocked, two-way, adaptive frequency hopping communication.
- Localized disposal: fire alarm / self-check, reset / silence, voice broadcast, buzzer prompt.
- Easy of use: The alarm is displayed in English, which is intuitive and clear, and the signal strength is indicated, which is easy to install.
- Safer: AES128 encryption, tamper alarm, three-level user rights management.

## Topology

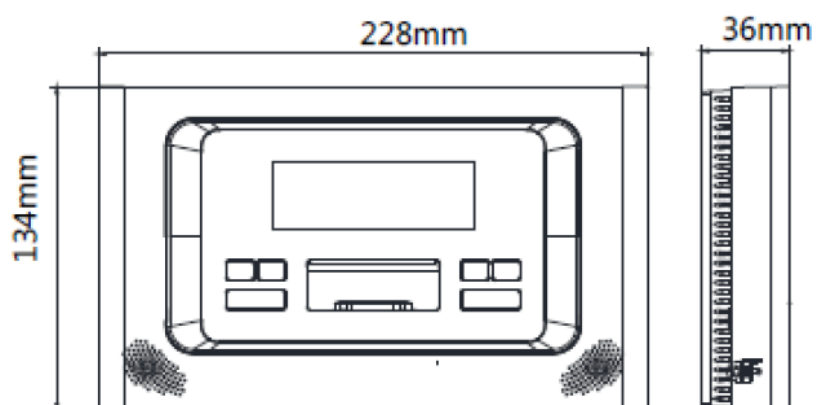


## Specification

Classification	characteristic	describe
characteristic	Peripheral access number	128 wireless peripherals
	interconnection	Supports interconnection alarms between hosts
	Communication distance	The LoRa wireless communication distance is 1.5~2km for open scenes, 3~5 ordinary walls, and 1~2 heavy walls. 1 basement.
	LCD display in Chinese	support
	Adaptive Frequency Hopping Communication	Support, strong environmental adaptability
	Communication security	AES128 dynamic encryption anti-replay, frequency allocation anti-collision
	Alarm sound pressure	75dB, 1m in front (A-weighted)
Function	Signal query	support
	Peripheral search	the association information between peripherals and gateways on the web side ,
	log storage	4000 alarms, faults and operations
	User Management	Support, Installer, Administrator, Operator
	Tamper Alarm	support
	fire alarm	support
	Muffler function	support
	Reset function	support
	Undervoltage alarm	support
	self-test	support
interface	RS-232 interface	1 way
	RS-485 interface	1 way
	Ethernet interface	RJ45, 1 way
	Relay output interface	2, relay capacity (30VDC 1A)
	Auxiliary power interface	DC 12V 500ma, 1 channel
communication method	Ethernet	support
	LoRa	LoRa , 470Mhz~510Mhz

General Specifications	power supply	Main power: 12V power adapter Backup power: 2500mAH 7.2V
	Operating temperature	-10°C ~ 55°C
	Working humidity	≤95%
	Dimensions	228mm(L)*134mm(W)*36mm(H)
	shell material	PC+ABS
	product weight	600g
	Installation scene	indoor

▪ **Available Model**



Note : Dimensions do not include external antenna dimensions

▪ **Available Model**

NP-FTG200



**Headquarters**

No.555 Qianmo Road, Binjiang District,  
Hangzhou 310051, China  
T +86-571-8807-5998  
www.hikvision.com



Follow us on social media to get the latest product and solution information.

