

# SHENZHEN HONOR ELECTRONIC CO.,LTD.

## APPROVAL SHEET

CUSTOMER: \_\_\_\_\_

CUSTOMER MODEL \_\_\_\_\_

MODEL NAME: UL PLUG

OUTPUT: \_\_\_\_\_

Sample Order: \_\_\_\_\_

Signature of Customer

OUR Signature

<b>Designed by: 梁超</b>	<b>Checked by: 吴小东</b>	<b>Approval: 郝留全</b>
<b>Date:2014/03/19</b>	<b>Date:2014/03/19</b>	<b>Date:2014/03/19</b>

Rev.

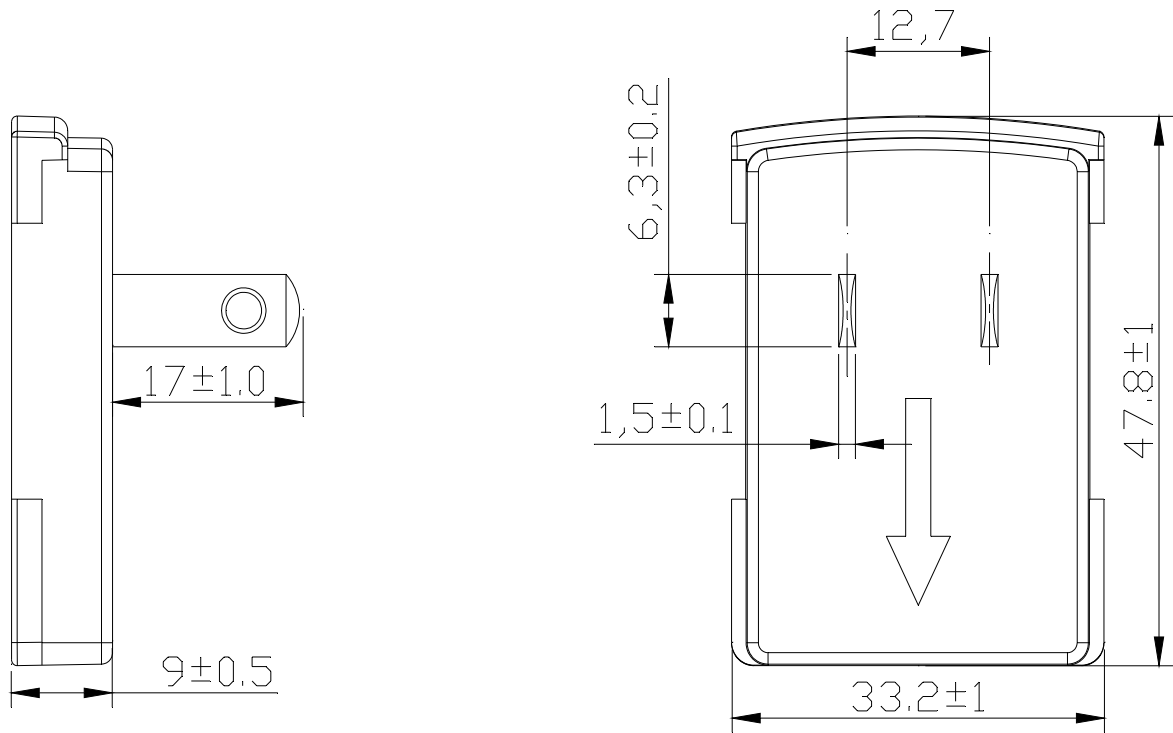
Description	Page	REV
First Edition		A0

ADDRESS:No.C7 Fuyuan Industry Park, No.111 Jiuwei Road,Xixiang Town,Bao'An  
Shenzhen,China

Telephone : +86-755-33857166

Telefax : +86-755-81453115

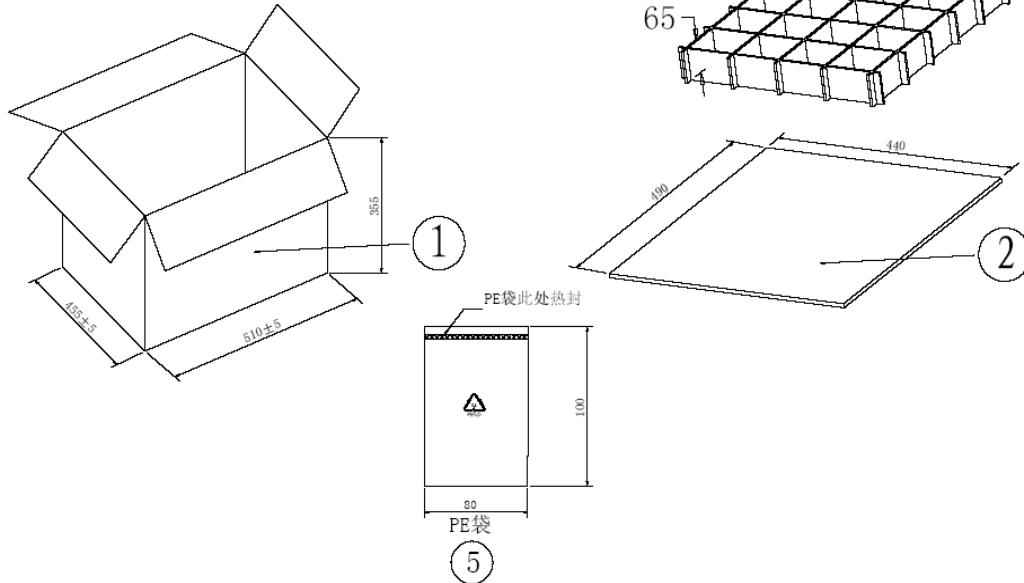
# OUTLINE DRAWING



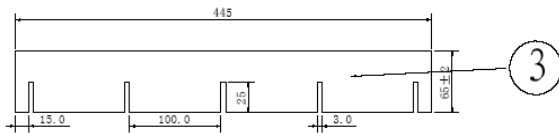
COLOR: BLACK

# PACKING DRAWING

备注;先将插脚放入小PE袋,  
然后每5PCS放一个大PE袋  
最后放进#子格中。

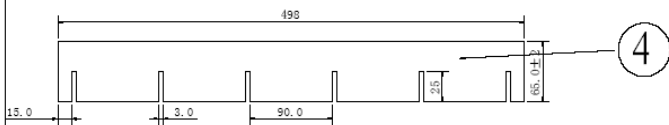


Rev: NO	Revision note	Date	Signature	Checked	ECN NO.		SHENZHEN HONOR ELECTRONIC CO LTD.					
							Unit: mm Dim Tolerances: *.*: ±0.20 *.*: ±0.10 *.*: ±0.05 Angle: ±0.5°	Model 转换脚包装				
							Modification	Name	Date	Part	包装组件	
							Designed by	徐建波	14. 2. 28	Name Part NO		
							Checked by			DWG NO		
							Approved by			Rev	A/O	Scale 1:1



刀卡1, 材质A3A 每箱5\*6=30 PCS

- NOTE:
- 1、材质: 外箱:A=A, 五层瓦楞纸, 厚度: 6.0mm Min. (外箱材质可根据订单而改变)
  - 2、外观: 光洁, 无污点, 黄白色且无色差, 交接处无裂缝。
  - 3、尺寸: 以上尺寸为箱内尺寸, 公差为±5mm。
  - 4、数量: 500PCS, (1层装20\*5PCS)分5层装, 6块单坑平板。
  - 5、进料前需先送样承认OK之后方可进料,



刀卡2, 材质A3A, 每箱5\*5=25PCS

Rev: NO	Revision note	Date	Signature	Checked	ECN NO.		SHENZHEN HONOR ELECTRONIC CO LTD.					
							Unit: mm Dim Tolerances: *.*: ±0.20 *.*: ±0.10 *.*: ±0.05 Angle: ±0.5°	Model 转换脚包装				
							Modification	Name	Date	Part	包装组件	
							Designed by	徐建波	14. 2. 28	Name Part NO		
							Checked by			DWG NO		
							Approved by			Rev	A/O	Scale 1:1