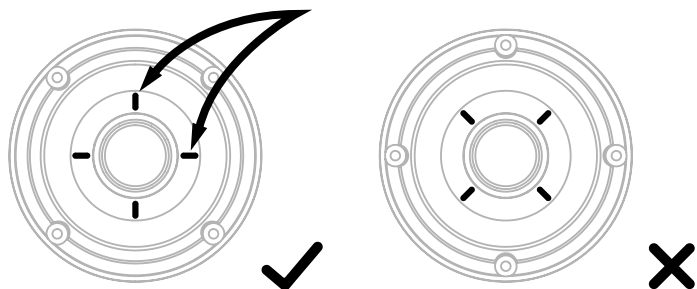
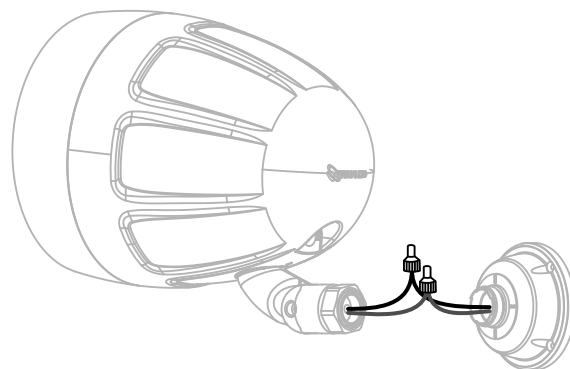


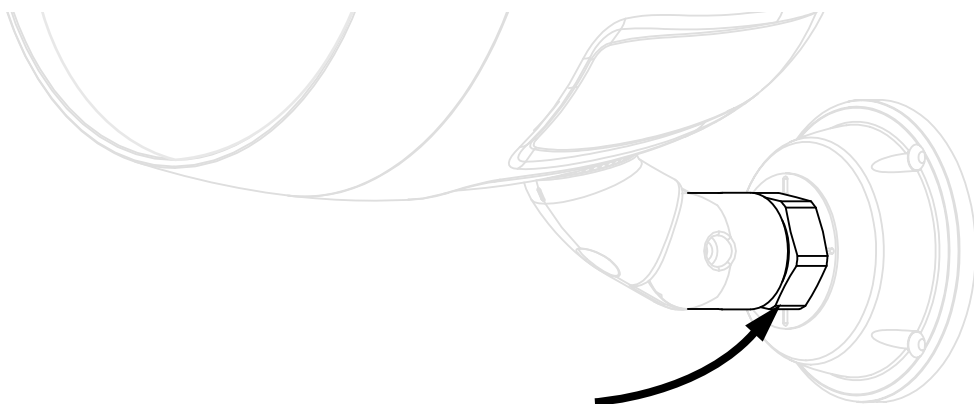
# AS-BASE.2 | INSTALL GUIDE



Alignment marks should be horizontal and vertical.



Route wires through the opening in the mount.



Tuck wires and tighten nut securely.

