

epcom[®]

Professional Video Surveillance Solutions

TURBO HD CAMERA

4K Two Way Audio Fixed Bullet

B4K-TURBO-EX4



KEY FEATURE

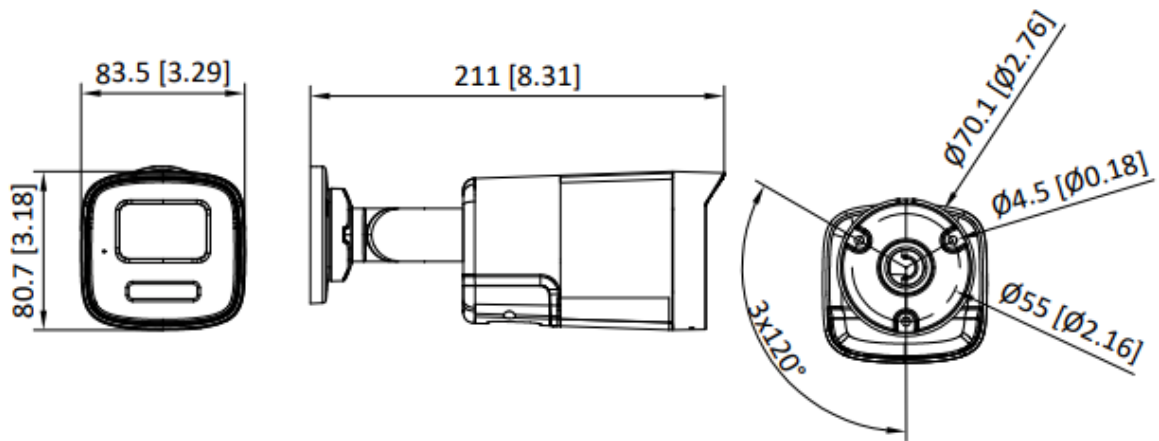
- High quality imaging with 4K, 3840 × 2160 resolution
- 2.8 mm fixed focal lens
- Up to 40 m white light and 40 m IR distance for bright night imaging
- Smart-Hybrid Light, optimize your security with flexible lighting options
- High quality audio with audio over coaxial cable, built-in mic, and built-in speaker
- Provide real-time communication via built-in two-way audio
- Water and dust resistant (IP67)

SPECIFICATION







| Specification | Description |
|--------------------------|---|
| Camera | |
| Image Sensor | 4K CMOS |
| Max. Resolution | 3840 (H) × 2160 (V) |
| Min. Illumination | 0.01 Lux @(F1.6, AGC ON), 0 Lux with White Light |
| Shutter Time | PAL: 1/12.5 s to 1/50,000 s, NTSC: 1/15 s to 1/50,000 s |
| Day & Night | ICR |
| Angle Adjustment | Pan: 0° to 360°, Tilt: 0° to 180°, Rotate: 0° to 360° |
| Signal System | PAL/NTSC |
| Lens | |
| Lens Type | 2.8 mm |
| Focal Length & FOV | 2.8 mm, horizontal FOV: 113°, vertical FOV: 62°, diagonal FOV: 134° |
| Lens Mount | M12 |
| Microphone | |
| Pickup Distance | In a radius of up to 5 m |
| Amount | 1 |
| Speaker | |
| Rated Power | 2 W |
| Speaker Range | In a radius of up to 5 m |
| Illuminator | |
| Supplement Light Type | Smart, IR, White Light |
| Supplement Light Range | IR: Up to 40 m, White Light: Up to 40 m |
| Image | |
| Image Settings | Anti-banding, Brightness, Sharpness, Smart IR |
| Frame Rate | TVI: 8 MP @12.5 fps/15 fps, 3K@20 fps/25 fps, 4 MP@25 fps/30 fps, 1080p@25 fps/30 fps |
| Day/Night Mode | Auto/Color |
| Wide Dynamic Range (WDR) | Digital WDR |
| Image Enhancement | DWDR, BLC, HLC, Global |
| Noise Reduction | 2D DNR |
| White Balance | Auto, Manual |
| Audio | |
| Audio Function | Echo Cancellation, AI Noise Reduction, Automatic Gain Control |
| Interface | |
| Video Output | 1 HD analog output |

| Specification | Description |
|---------------------|---|
| General | |
| Power | 12 VDC ± 25%, max. 7.8 W You are recommended to use one power adapter to supply the power for one camera. If a high-impedance cable is used (such as the 18 m extension cable in the kit package), a 15 VDC adapter is required. |
| Material | Main body: Metal; Enclosure: Plastic |
| Dimension | 211 mm × 83.5 mm × 80.7 mm (8.31" × 3.29" × 3.18") |
| Weight | Approx. 430 g (0.94 lb.) |
| Operating Condition | -40 °C to 60 °C (-40 °F to 140 °F). Humidity 90% or less (non-condensing) |
| Communication | HIKVISION-C |
| Language | English |
| Approval | |
| Protection | IP67 |

DIMENSION



ACCESSORY

| DS-1275ZJ-SUS Vertical pole mount | DS-1276ZJ-SUS Corner mount | DS-1280ZJ-XS Junction box |
|---|---|--|
|  |  |  |
|  |  |  |