

## PT8TURBOC/A

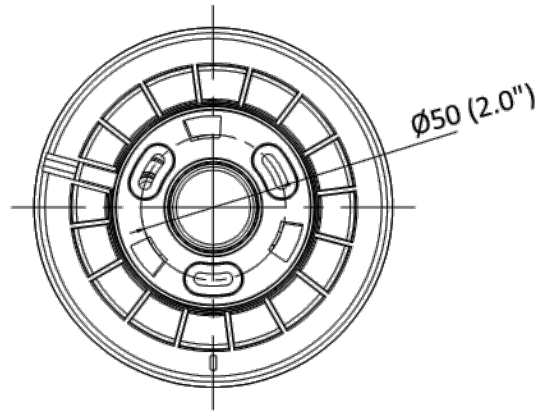
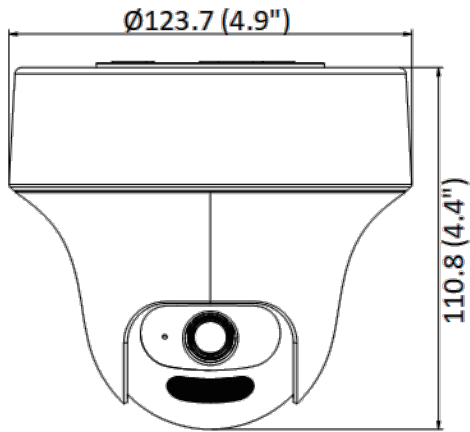
### 2 MP ColorPlus Indoor Audio Fixed PT Camera



- High quality imaging with 2 MP, 1920 × 1080 resolution
- 24/7 color imaging with F1.0 aperture
- Clear imaging against strong back light due to 130 dB true WDR technology
- 3D DNR technology delivers clean and sharp images
- Fixed focal lens, 2.8, and 3.6 mm optional
- Up to 20 m white light distance for bright night images
- High quality audio with audio over coaxial cable, built-in microphone

<b>Camera</b>	
Image Sensor	2 MP CMOS
Max. Resolution	1920 (H) × 1080 (V)
Min. Illumination	0.0005 Lux @ (F1.0, AGC ON), 0 Lux with white light
Shutter Time	PAL: 1/25 s to 1/50, 000 s; NTSC: 1/30 s to 1/50, 000 s
Day & Night	24/7 Color Imaging
Angle Adjustment	Pan: 0 to 350°, tilt: 0 to 75° *DO NOT adjust the angle of the main body or enclosure manually.
Signal System	PAL/NTSC
Slow Shutter	Max. 16 times
<b>Lens</b>	
Lens Type	Fixed focal lens, 2.8 and 3.6 mm optional
Focal Length & FOV	2.8 mm, horizontal FOV: 106°, vertical FOV: 57°, diagonal FOV: 126° 3.6 mm, horizontal FOV: 83°, vertical FOV: 44°, diagonal FOV: 99°
Lens Mount	M12
<b>Illuminator</b>	
Supplement Light Type	White Light
Supplement Light Range	Up to 20 m
Smart Supplement Light	Yes
<b>Image</b>	
Image Parameters Switch	STD/HIGH-SAT/HIGHLIGHT
Image Settings	Brightness, Contrast, Mirror, Sharpness, Anti-Banding, Saturation, AGC
Frame Rate	TVI: 1080P@25 fps/30 fps
Day/Night Mode	Color
Wide Dynamic Range (WDR)	≥130 dB
Image Enhancement	BLC, HLC, Global, HLS
Privacy Mask	4 programmable privacy masks
Noise Reduction	3D DNR/2D DNR
White Balance	Auto/Manual
White Light	Auto/Off
<b>Interface</b>	
Video Output	1 HD analog output
Alarm	Solid Light Alarm (White Light)
Built-in Microphone	Yes
<b>Event</b>	
Motion Detection	4 programmable motion areas
<b>General</b>	
Power	12 VDC ± 25%, max. 7.4 W *You are recommended to use one power adapter to supply the power for one camera.
Material	Plastic
Dimension	Ø123.7 × 110.8 (4.9" × 4.4")
Weight	Approx. 290 g (0.6 lb.)
Operating Condition	-10 °C to 40 °C (14 °F to 104 °F). Humidity 90% or less (non-condensing)
Communication	HIKVISION-C
Language	English

## ▪ Dimension



Unit: mm (inch)