



AIB-800A-LU

AI Box with Lumeo Advanced Analytics



Key Features

- Max up to 8CH inputs
- Analytics events based on AI engine (WiseAI)
 - Motion detection
 - Object detection (Person/Face/Vehicle/License plate)
 - IVA (Virtual line/Area, Enter/Exit, Loitering, Direction, Intrusion)
- Support BestShot and full attributes
- Support Dynamic Privacy Masking
- Business intelligence based on AI engine
 - People/Vehicle counting, Queue management, Heatmap
- Rack mount installation
- Support SDK/API for interworking with 3rd party VMS
- WAVE, Genetec, Milestone integration

AIB-800A-LU

AI Box with Lumeo Advanced Analytics



Specifications

Display		
Network	Protocols	ONVIF
Network		
Protocol	TCP/IP, UDP/IP, RTP (UDP), RTP (TCP), RTSP, NTP, HTTP, DHCP (Server, Client), SMTP, ICMP, IGMP, ARP, DNS, DDNS, uPnP, HTTPS, SNMP, ONVIF (Profile-S), SRTP	
IP Version	IPv4/v6	
OS	Windows 11/10, macOS 10.13	
Web Browser	Google Chrome, Microsoft Edge, Mac Safari	
Viewer Software	Type	WebViewer, WAVE, Genetec, Milestone
Indicator/Interface		
Front	Indicator	LED(Status indicator) : Alarm(1), Power(1), Network(1)
	Ethernet	RJ-45 1ea (1Gbps)
	Alarm	(1) In(8EA, Terminal Block), (2) Alarm Reset(1EA), (3) Out(4EA, Terminal Block) - Relay Out1(NO/NC/COM) - Relay Out2~4(NO/COM)
	USB	1EA(Rear 1 x USB 3.0) for DEBUG
	Serial	Not Supported (internal Debug)
	Power Cord	DIN 4P 12V, 4A
System		
CPU	NVIDIA ORIN NX 8GB (SOM)	
Environmental		
Operating Temperature / Humidity	+0°C to +40°C(+32°F to +104°F)	
Humidity	20% ~ 85% RH	
Electrical		
Power	100~240 VAC ± 10%; 50/60Hz, 12V, 4A Adaptor	
Power Consumption	28W	
Mechanical		
Color / Material	Black / Metal	
Dimension (WxHxD)	300x47.6x240.9mm(11.81x1.87x9.48inch)	

Mechanical

Weight	1.39kg
--------	--------

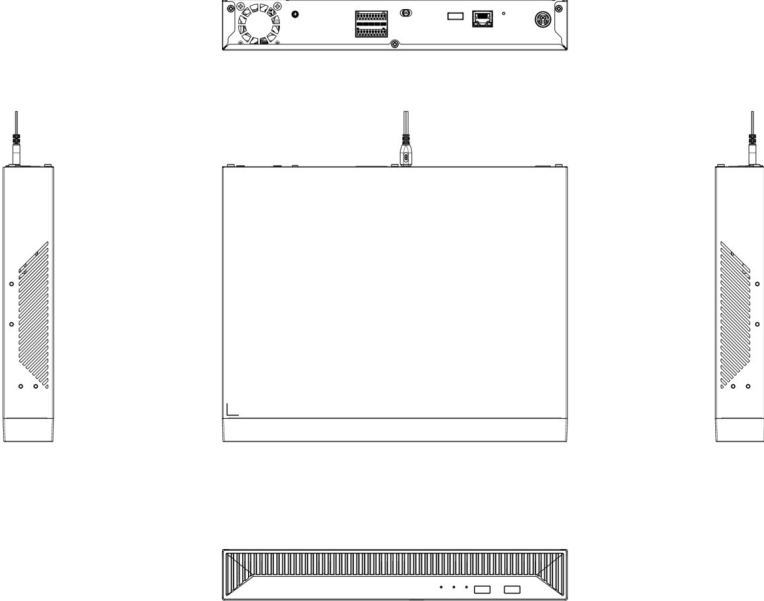
AIB-800A-LU


AI Box with Lumeo Advanced Analytics



CAD

Unit: mm [inch]



3	MODEL 2	
2	MODEL 1	
1	BASIC MODEL	25.10.25
No.	AIB-800A	DATE
Unit: mm [inch] SCALE: 1/2		 Hanwha Vision

A2
 © Hanwha Vision Co., Ltd. All rights reserved.