

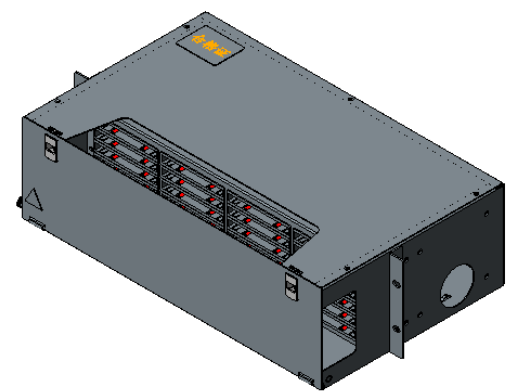
ODU Series Sub-rack

ODU series ODF sub-rack could be classified to integrated splicing & termination sub-rack and separated splicing & termination sub-rack. It usually is used in ODF rack or other telecommunication cabinets. It is a distribution and cross-connection passive equipment between optical cable and device or between different devices.

ODU sub-rack is used as a module of ODF rack, provides functions such as cable fixing, fiber protection and storage. It can be selected to meet different splice and termination requirement according to specific application scenarios.

Features

- Used in standard 19" ODF rack
- A variety of series to meet the application needs of different scenarios
- Anti-rust material, can be deployed in different environment.
- Easy operation and fiber management
- Could be used together with FiberHome relevant ODF rack or telecommunication cabinet



Application

- ODF rack
- MODF rack
- Telecommunication cabinets (indoor and outdoor)
- Network cabinets

No.	Item model	Capacity	Tray number	Dimension	Cable stripping
1	ODU19RP-CSS144-C	144	6 (Optional)	19"×3U×310	Optional

